

EFFECTIVE:  
03-JUL-17

SUPERSEDES:  
13-APR-11

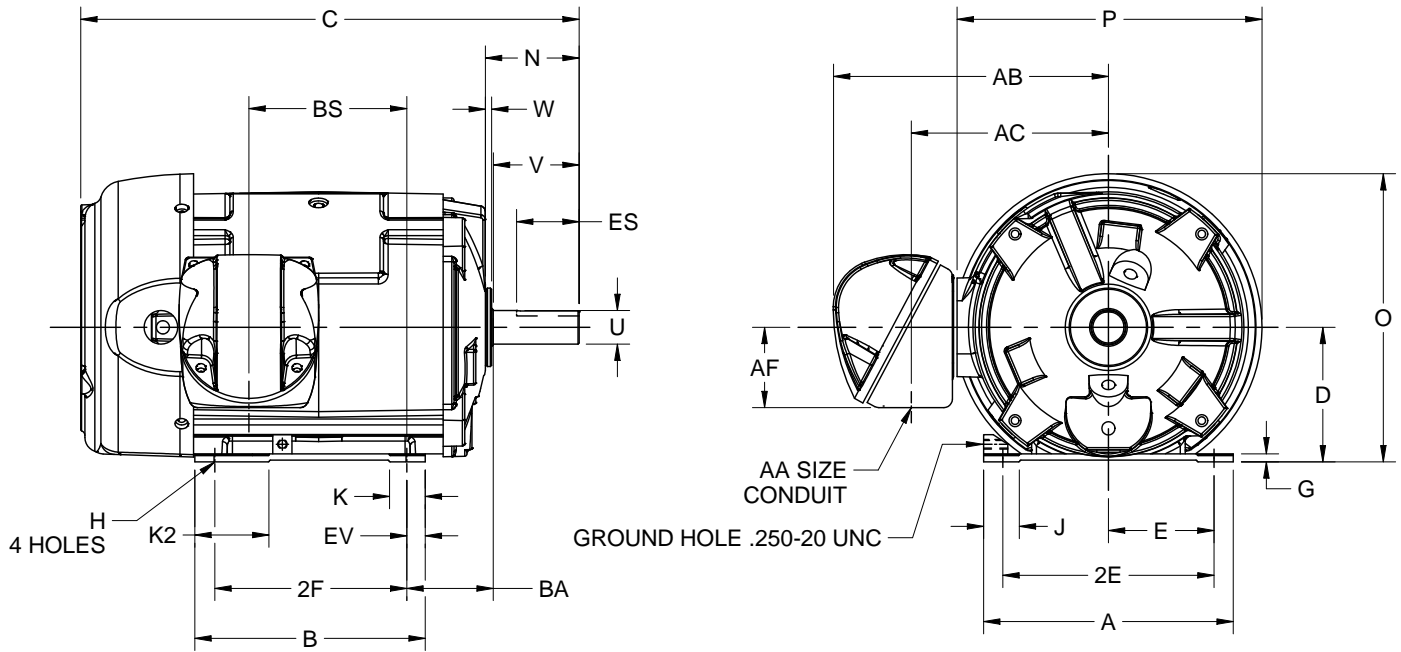
# DIMENSION PRINT

TEFC

FRAME: 140T  
BASIC TYPE: CE

PRINT:  
07-2106

SHEET:  
1 OF 1



ALL DIMENSIONS ARE IN INCHES AND MILLIMETERS

UNITS	A	B	C	D -.06	E	2E ±.03	G	H +.05	J	K	K2
IN	6.50	6.00	13.06	3.50	2.75	5.50	.16	.34	.94	.94	1.94
MM	165	152	332	89	70	140	4	9	24	24	49

UNITS	N	O	P <sup>2</sup>	U -.0005	V MIN	W	AA	AB	AC	AF	BA
IN	2.38	7.50	8.00	.8750	2.06	.13	3/4 NPT	7.38	5.06	2.13	2.25
MM	60	191	203	22.225	52	3		187	129	54	57

UNITS	BS	ES MIN	SQ KEY
IN	3.94	1.41	.188
MM	100	36	4.78

FRAME	UNITS	2F ±.03
143T	IN	4.00
	MM	102
145T	IN	5.00
	MM	127

1. ALL ROUGH DIMENSIONS MAY VARY BY .25" DUE TO CASTING AND/OR FABRICATION VARIATIONS.
2. LARGEST MOTOR WIDTH.
3. CONDUIT BOX MAY BE LOCATED ON EITHER SIDE. CONDUIT OPENINGS MAY BE LOCATED IN STEPS OF 90 DEGREES REGARDLESS OF LOCATION. STANDARD AS SHOWN WITH CONDUIT OPENING DOWN.
4. TOLERANCES SHOWN ARE IN INCHES ONLY.

07-2106/D

**Nidec Motor Corporation**  
St. Louis, Missouri

INFORMATION DISCLOSED ON THIS DOCUMENT IS CONSIDERED PROPRIETARY AND SHALL NOT BE REPRODUCED OR DISCLOSED WITHOUT WRITTEN CONSENT OF NIDEC MOTOR CORPORATION



ISSUED BY  
**G. MARTINEZ**  
APPROVED BY  
**E. LIZANA**

IHP\_DP\_NMCA (MAR-2011) SOLIDEDGE