

EFFECTIVE:
14-APR-15

DIMENSION PRINT

TEFC WITH OVERSIZED OUTLET BOX

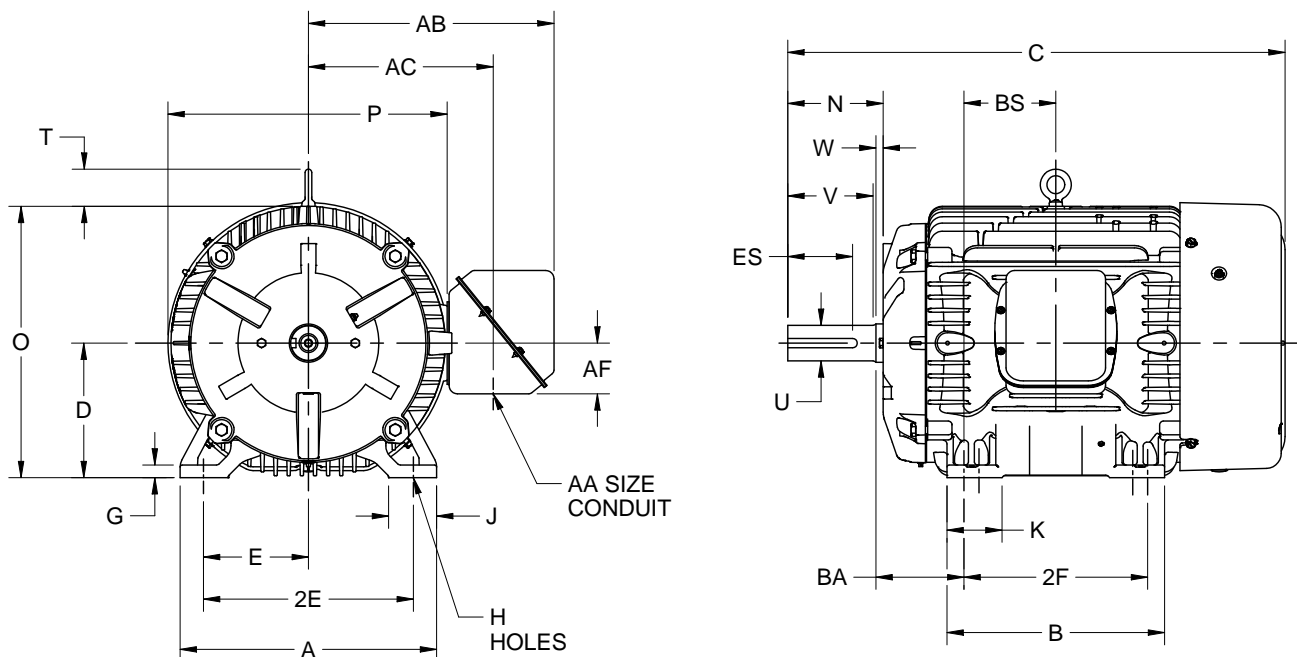
PRINT:
07-2135-17

SUPERSEDES:
NEW

FRAME: 360T
BASIC TYPE: CT

SHEET:
1 OF 1

F-2 ASSEMBLY POSITION



ALL DIMENSIONS ARE IN INCHES AND MILLIMETERS

| UNITS | A | B | C | D -.06 | E | 2E ±.03 | G | H +.05 | J | K | N-W |
|-------|-------|-------|-------|-----------|------|------------|-----|-----------|------|------|------|
| IN | 17.13 | 14.50 | 32.94 | 9.00 | 7.00 | 14.00 | .81 | .66 | 3.25 | 3.63 | 5.88 |
| MM | 435 | 368 | 837 | 229 | 178 | 356 | 21 | 17 | 83 | 92 | 143 |

| UNITS | O | P ² | T | U -.001 | V MIN | W | AA | AB | AC | AF | BA ±.09 |
|-------|-------|----------------|------|------------|----------|-----|------|-------|-------|------|------------|
| IN | 18.13 | 18.69 | 2.50 | 2.375 | 5.62 | .50 | 3.00 | 17.19 | 12.82 | 4.72 | 5.88 |
| MM | 460 | 475 | 64 | 60.33 | 143 | 13 | | 437 | 326 | 120 | 149 |

| UNITS | BS | ES MIN | SQ KEY |
|-------|------|-----------|-----------|
| IN | 6.13 | 4.28 | .625 |
| MM | 156 | 109 | 15.88 |

| FRAME | UNITS | 2F ±.03 |
|-------|-------|------------|
| 364T | IN | 11.25 |
| | MM | 286 |
| 365T | IN | 12.25 |
| | MM | 311 |

1. DIMENSIONS MAY VARY .25" DUE TO CASTING AND/OR FABRICATION VARIATIONS.
2. LARGEST MOTOR WIDTH
3. TOLERANCES ARE SHOWN IN INCHES.
4. CONDUIT BOX MAY BE LOCATED ON EITHER SIDE OF MOTOR. CONDUIT OPENINGS MAY BE LOCATED IN STEPS OF 90 DEGREES REGARDLESS OF LOCATION. STANDARD AS SHOWN WITH CONDUIT OPENING DOWN.

Nidec Motor Corporation
St. Louis, Missouri

INFORMATION DISCLOSED ON THIS DOCUMENT
IS CONSIDERED PROPRIETARY AND SHALL NOT BE
REPRODUCED OR DISCLOSED WITHOUT WRITTEN
CONSENT OF NIDEC MOTOR CORPORATION



ISSUED BY
R. KING
APPROVED BY
J. HAGENE

IHP_DP_NMCA (MAR-2011) SOLIDEDGE