

EFFECTIVE:  
21-MAR-11

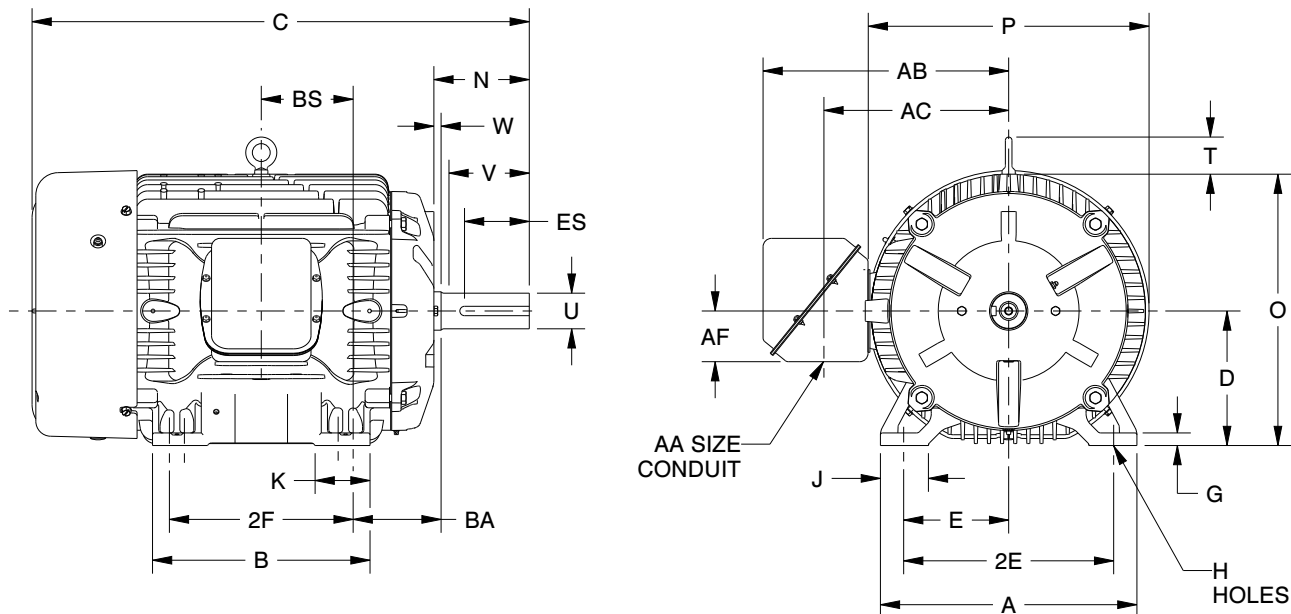
# HORIZONTAL MOTORS

PRINT:  
07-2137

SUPERSEDES:  
04-MAR-01

FRAME: 364, 365TS  
BASIC TYPE: CT

SHEET:  
1 OF 1



	A	B	C	D -.06	E	2E ±.03	G	H +.05
IN	17.13	14.50	30.44	9.00	7.00	14.00	.81	.66
MM	435	368	773	229	178	356	21	17

	J	K	N	N-W	O	P <sup>2</sup>	T	U -.001
IN	3.25	3.25	4.25	3.75	18.13	18.69	2.50	1.875
MM	83	83	108	143	460	475	64	47.63

	V MIN	W	AA	AB	AC	AF	BA ±.09	BS
IN	3.50	.50	3.00	16.38	12.19	3.38	5.88	6.13
MM	89	13	3.00	416	310	86	149	156

	ES MIN	SQ KEY
IN	2.03	.500
MM	52	12.70

	FRAME	2F ±.03
IN	364TS	11.25
MM		286
IN	365TS	12.25
MM		311

1. ALL ROUGH CASTING DIMENSIONS MAY VARY .25" DUE TO CASTING VARIATIONS.
2. LARGEST MOTOR WIDTH
3. TOLERANCES ARE SHOWN IN INCHES.
4. CONDUIT BOX MAY BE LOCATED ON EITHER SIDE OF MOTOR. CONDUIT OPENINGS MAY BE LOCATED IN STEPS OF 90 DEGREES REGARDLESS OF LOCATION. STANDARD AS SHOWN WITH CONDUIT OPENING DOWN.

07-2137/B

**Nidec Motor Corporation**  
St. Louis, Missouri

INFORMATION DISCLOSED ON THIS DOCUMENT  
IS CONSIDERED PROPRIETARY AND SHALL NOT BE  
REPRODUCED OR DISCLOSED WITHOUT WRITTEN  
CONSENT OF NIDEC MOTOR CORPORATION



ISSUED BY  
K. FRIEDMAN  
APPROVED BY  
K. POTTER

IHP\_DP\_NMCA (MAR-2011) PROENGINEER