

EFFECTIVE:
08-FEB-13

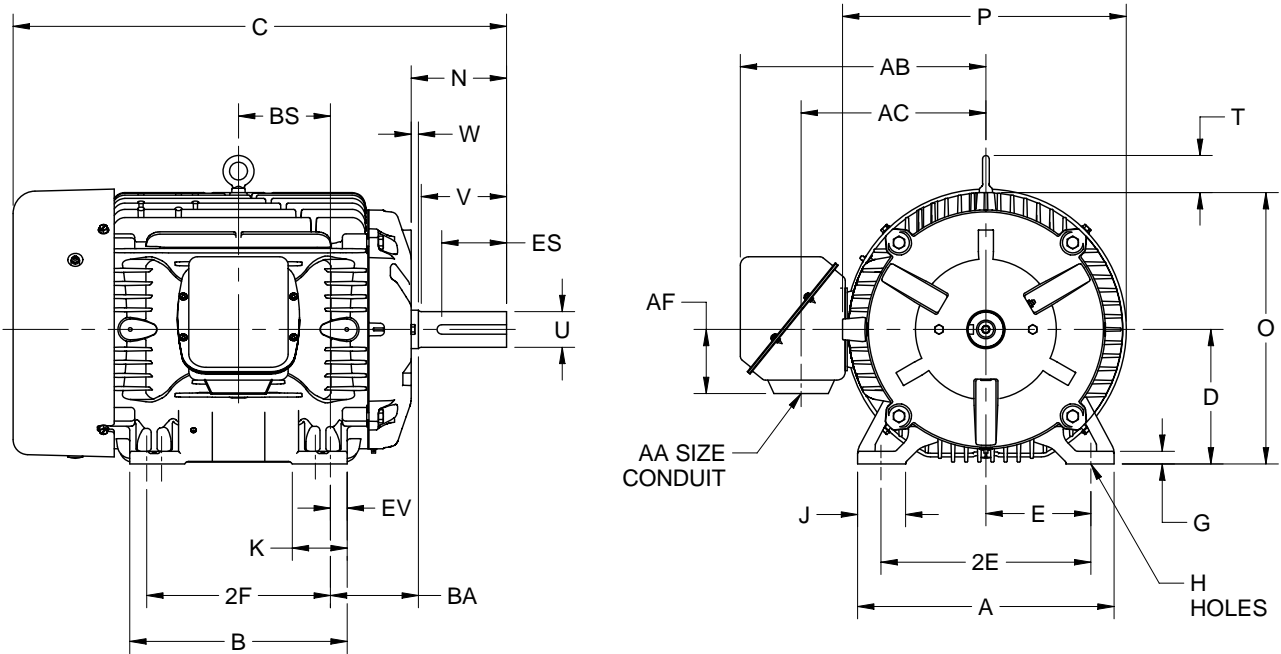
HORIZONTAL MOTORS

PRINT:
07-2138

SUPERSEDES:
13-APR-11

FRAME: 360US
BASIC TYPE: JAD, JDE

SHEET:
1 OF 1



ALL DIMENSIONS ARE IN INCHES AND MILLIMETERS

| | A | B | C | D -.06 | E | 2E ±.03 | G | H +.05 | J |
|----|-------|-------|-------|-----------|------|------------|-----|-----------|------|
| IN | 17.13 | 14.50 | 30.44 | 9.00 | 7.00 | 14.00 | .81 | .66 | 3.25 |
| MM | 435 | 368 | 773 | 229 | 178 | 356 | 21 | 17 | 83 |

| | K | N | N-W | O | P ² | T | U -.001 | V MIN | W |
|----|------|------|------|-------|----------------|------|------------|----------|-----|
| IN | 3.63 | 4.25 | 3.75 | 18.13 | 18.69 | 2.50 | 1.875 | 3.50 | .50 |
| MM | 92 | 108 | 95 | 461 | 475 | 64 | 47.63 | 89 | 13 |

| | AA | AB | AC | AF | BA ±.09 | BS | ES MIN | EV | SQ KEY |
|----|-----------|-------|-------|------|------------|------|-----------|------|-----------|
| IN | 2 1/2 NPT | 16.38 | 12.19 | 4.19 | 5.88 | 6.13 | 2.03 | 1.13 | .625 |
| MM | | 416 | 310 | 106 | 149 | 156 | 52 | 29 | 15.88 |

| | FRAME | 2F ±.03 |
|----|-------|------------|
| IN | 364US | 11.25 |
| MM | | 286 |
| IN | 365US | 12.25 |
| MM | | 311 |

1. DIMENSIONS MAY VARY .25" DUE TO CASTING AND/OR FABRICATION VARIATIONS.
2. LARGEST MOTOR WIDTH
3. TOLERANCES ARE IN INCHES.
4. CONDUIT BOX MAY BE LOCATED ON EITHER SIDE OF MOTOR. CONDUIT OPENING MAY BE LOCATED IN STEPS OF 90 DEGREES REGARDLESS OF LOCATION. STANDARD AS SHOWN WITH CONDUIT OPENING DOWN.

07-2138/B

Nidec Motor Corporation
St. Louis, Missouri

INFORMATION DISCLOSED ON THIS DOCUMENT IS CONSIDERED PROPRIETARY AND SHALL NOT BE REPRODUCED OR DISCLOSED WITHOUT WRITTEN CONSENT OF NIDEC MOTOR CORPORATION



ISSUED BY
K. FRIEDMAN
APPROVED BY
J. O'BRIEN

IHP_DP_NMCA (MAR-2011) SOLIDEDGE