

EFFECTIVE:
29-AUG-12

SUPERSEDES:
08-AUG-11

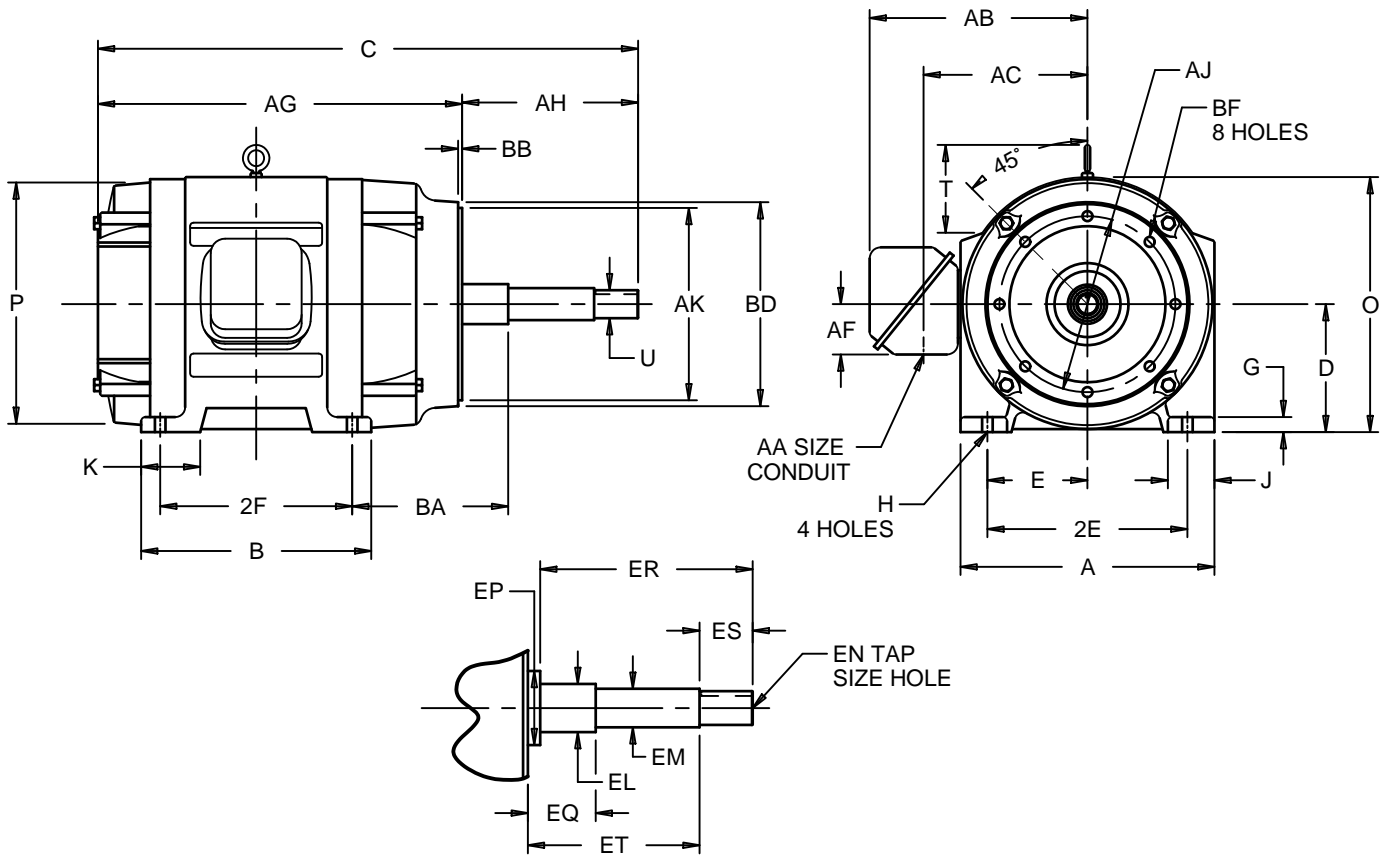
HORIZONTAL MOTORS

CLOSE-COUPLED PUMP

FRAME: 360JP
BASIC TYPE: R

PRINT:
07-2170

SHEET:
1 OF 1



ALL DIMENSIONS ARE IN INCHES AND MILLIMETERS

UNITS	A	D -.06	E	2E ±.03	G	H +.05	J	K	O	P ²	T	U -.0005
IN	17.63	9.00	7.00	14.00	1.00	.66	3.44	2.75	17.75	17.63	2.50	1.6245
MM	448	229	178	356	25	17	87	70	451	448	64	41.262

UNITS	AA	AB	AC	AF	AH ±.031	BA	BB MIN
IN	3.00	16.38	12.09	3.38	8.125	8.50	.25
MM		416	307	86	206.38	216	6

UNITS	EL -.002	EM -.0005	EN ³	EP MIN	EQ ±.020	ER MIN	ES MIN	ET ±.020	SQ KEY
IN	2.125	1.7500	1/2 13 X 1.00	2.50	2.375	8.13	2.53	5.875	.375
MM	53.98	44.450		64	60.33	207	64	149.23	9.53

FRAME	UNITS	B	C	2F ±.03	AJ	AK -.005	BD MAX	BF ³	AG
364JP	IN	13.75	31.13	11.25	11.000	12.500	14.00	5/8 11 X .94	23.00
	MM	349	791	286	279.40	317.50	356		584
365JP	IN	14.75	32.13	12.25	11.000	12.500	14.00	5/8 11 X .94	24.00
	MM	375	816	311	279.40	317.50	356		610

- 1: ALL ROUGH DIMENSIONS MAY VARY BY .25" DUE TO CASTING AND/OR FABRICATION VARIATIONS.
- 2: LARGEST MOTOR WIDTH.
- 3: TAP SIZE AND BOLT PENETRATION ALLOWANCE.
- 4: ALL TAPPED HOLES ARE UNIFIED NATIONAL COARSE, RIGHT HAND THREAD.
- 5: STANDARD ASSEMBLY POSITION F-1 IS SHOWN. F-2 IS PROVIDED WHEN SPECIFIED. CONDUIT OPENINGS MAY BE LOCATED IN STEPS OF 90° REGARDLESS OF LOCATION. STANDARD AS SHOWN WITH CONDUIT OPENING DOWN.

TOLERANCES	
FACE RUNOUT	.006 T.I.R.
PERMISSIBLE ECCENTRICITY OF MOUNTING RABBET	.006 T.I.R.
PERMISSIBLE SHAFT RUNOUT	.003 T.I.R.

07-2170/D

Nidec Motor Corporation
St. Louis, Missouri

INFORMATION DISCLOSED ON THIS DOCUMENT IS CONSIDERED PROPRIETARY AND SHALL NOT BE REPRODUCED OR DISCLOSED WITHOUT WRITTEN CONSENT OF NIDEC MOTOR CORPORATION



ISSUED BY
R. KING
APPROVED BY
J. O'BRIEN

IHP_DP_NMCA (MAR-2011) SOLIDEDGE