

EFFECTIVE:  
26-MAR-12

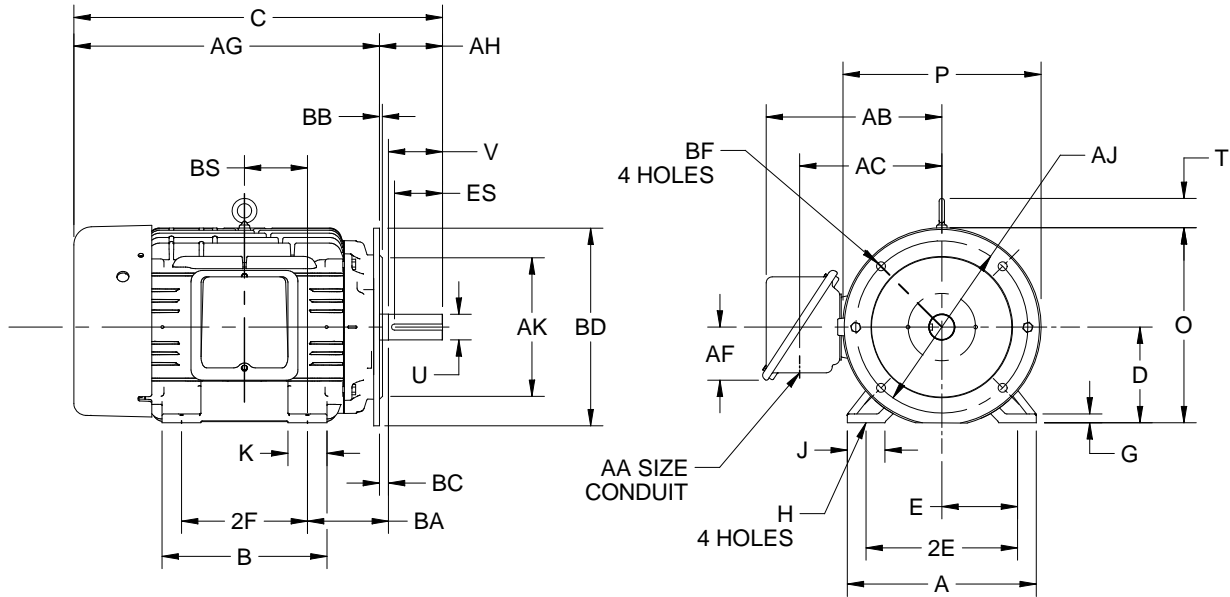
# HORIZONTAL MOTORS

PRINT:  
07-2175

SUPERSEDES:  
03-APR-01

FRAME: 320TD  
BASIC TYPE: FTC, TCE, CE

SHEET:  
1 OF 1



ALL DIMENSIONS ARE IN INCHES AND MILLIMETERS

UNITS	A	B	C	D -.06	E	2E ±.03	G	H +.05	J	K	O	P <sup>2</sup>
IN	15.75	13.75	30.75	8.00	6.25	12.50	.75	.66	3.19	3.25	16.50	17.19
MM	400	349	781	203	159	318	19	17	81	83	419	437

UNITS	T	U -.001	V MIN	AA	AB	AC	AF	AG	AH	AJ	AK -.005	BA
IN	2.25	2.125	5.00	2 NPT	15.00	11.69	3.81	25.50	5.25	16.000	14.000	5.25
MM	57	53.98	127		381	297	97	648	133	406.40	355.60	133

UNITS	BB MIN	BC	BD MAX	BF	BS	ES MIN	SQ KEY
IN	.22	0.00	18.00	.81	6.00	3.91	.500
MM	6	0	457	21	152	99	12.70

FRAME	UNITS	2F ±.03
324TD	IN	10.50
	MM	267
326TD	IN	12.00
	MM	305

1. ALL ROUGH DIMENSIONS MAY VARY BY .25" DUE TO CASTING AND/OR FABRICATION VARIATIONS.
2. LARGEST MOTOR WIDTH.
3. TOLERANCES SHOWN ARE IN INCHES ONLY

4. CONDUIT BOX MAY BE LOCATED ON EITHER SIDE OF MOTOR. CONDUIT OPENINGS MAY BE LOCATED IN STEPS OF 90 DEGREES REGARDLESS OF LOCATION. STANDARD AS SHOWN WITH CONDUIT OPENING DOWN.

07-2175/-

**Nidec Motor Corporation**  
St. Louis, Missouri

INFORMATION DISCLOSED ON THIS DOCUMENT IS CONSIDERED PROPRIETARY AND SHALL NOT BE REPRODUCED OR DISCLOSED WITHOUT WRITTEN CONSENT OF NIDEC MOTOR CORPORATION



ISSUED BY  
**M. FLORES**  
APPROVED BY  
**E. LIZANA**

IHP\_DP\_NMCA (MAR-2011) SOLIDEDGE