

EFFECTIVE:
18-FEB-21

DIMENSION PRINT

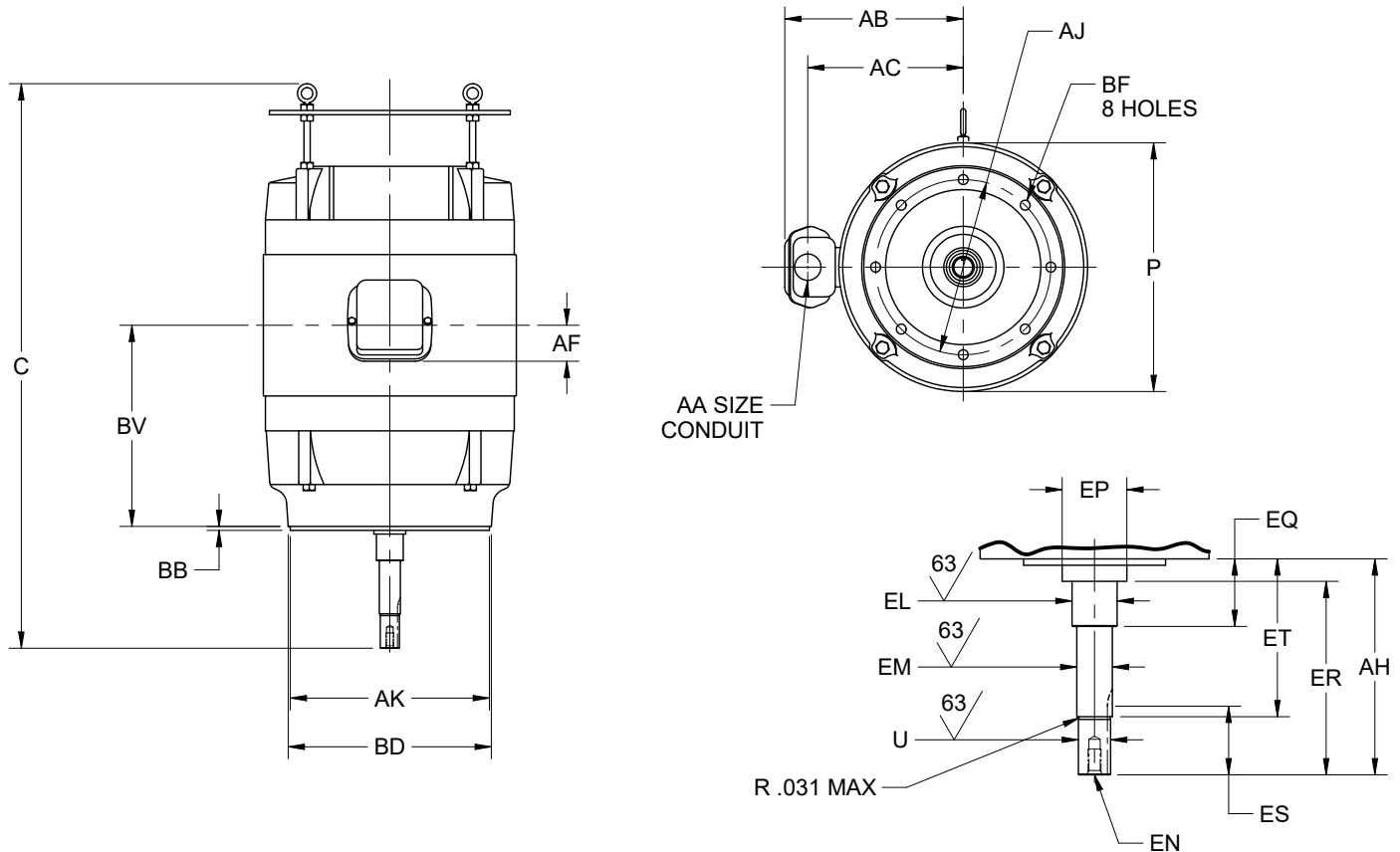
CLOSE-COUPLED PUMP MOTOR-VERTICAL MOUNTING

PRINT:
07-2195

SUPERSEDES:
11-MAR-11

FRAME: 360JPV
BASIC TYPE: RF-1, FRF-1

SHEET:
1 OF 1



ALL DIMENSIONS ARE IN INCHES & MILLIMETERS

UNITS	C	P ⁵	U -.001	AA	AB	AC	AF	AH ±.031	AJ	AK -.005	BB -.062	BD MAX
IN	30.50	17.25	1.625	3.00	16.03	11.75	3.38	8.125	11.000	12.500	.313	14.00
MM	775	438	41.28		407	298	86	206.37	279.40	317.50	7.95	356

UNITS	BF ²	EL -.002	EM -.0005	EN ^{2,3}	EP MIN	EQ ±.015	ER MIN	ES MIN	ET ±.020	SQ KEY
IN	5/8-11 x .94	2.125	1.7500	1/2-13 UNC x 1.00	2.50	2.395	8.13	2.53	5.895	.375
MM		53.98	44.450		64	60.83	206	64	149.73	9.53

FRAME	UNITS	BV
364JPV	IN	11.75
	MM	298
365JPV	IN	12.25
	MM	311

NOTES:

1. ALL ROUGH DIMENSIONS MAY VARY BY .25" DUE TO CASTING AND/OR FABRICATION VARIATIONS.
2. TAP SIZE AND BOLT PENETRATION ALLOWANCE.
3. ALL TAPPED HOLES ARE UNIFIED NATIONAL COARSE, RIGHT HAND THREAD.
4. CONDUIT OPENINGS MAY BE LOCATED IN STEPS OF 90° REGARDLESS OF LOCATION. STANDARD AS SHOWN WITH CONDUIT OPENING DOWN.
5. LARGEST MOTOR WIDTH.
6. TOLERANCE UNITS ARE IN INCHES ONLY.

TOLERANCES	
FACE RUNOUT	.007 T.I.R.
PERMISSIBLE ECCENTRICITY OF MOUNTING RABBIT	.007 T.I.R.
PERMISSIBLE SHAFT RUNOUT	.003 T.I.R.

07-2195/D

Nidec Motor Corporation
St. Louis, Missouri

INFORMATION DISCLOSED ON THIS DOCUMENT IS CONSIDERED PROPRIETARY AND SHALL NOT BE REPRODUCED OR DISCLOSED WITHOUT WRITTEN CONSENT OF NIDEC MOTOR CORPORATION



ISSUED BY
D. CAMACHO
APPROVED BY
M. TREJO

IHP_DP_NMCA (MAR-2011) SOLIDEDGE