

EFFECTIVE:
11-MAY-11

HORIZONTAL MOTORS

PRINT:
07-2208

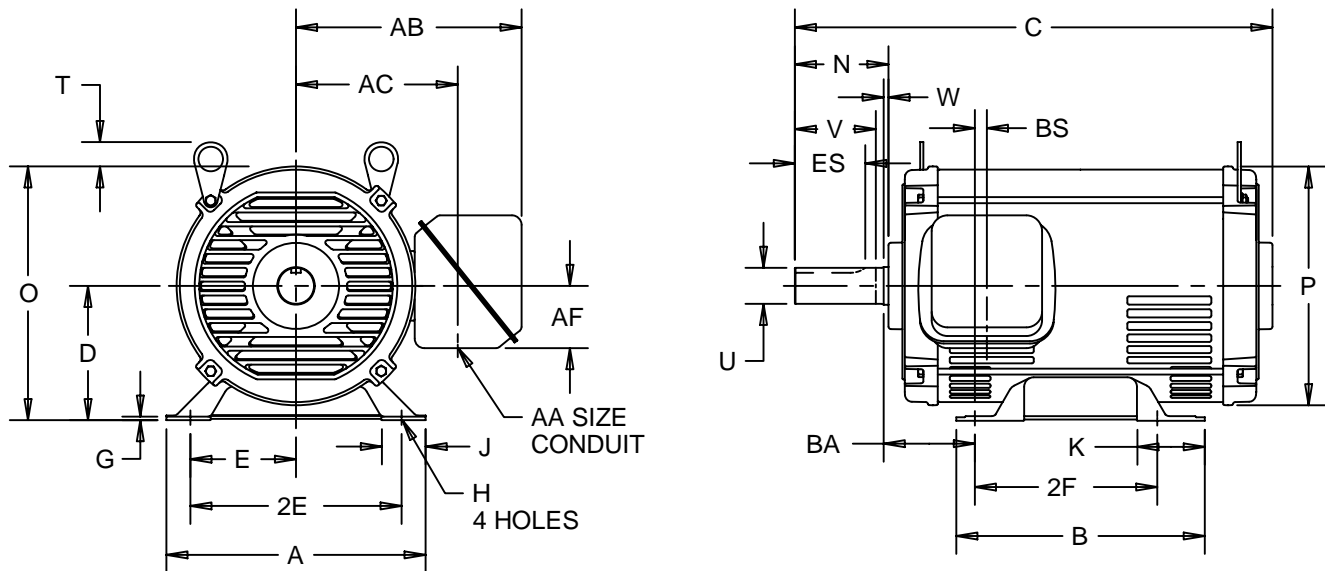
OPEN DRIP PROOF

SUPERSEDES:
02-MAR-00

FRAME: 250T
BASIC TYPE: D

SHEET:
1 OF 1

F-2 ASSEMBLY



ALL DIMENSIONS ARE IN INCHES AND MILLIMETERS

UNITS	A	D -.06	E	2E ±.03	G	H +.05	J	K	N	O	P ²
IN	11.25	6.25	5.00	10.00	.19	.53	1.44	1.38	4.44	11.75	11.10
MM	286	159	127	254	5	14	37	35	113	298	282

UNITS	T	U -.001	V MIN	W	AA	AB	AC	AF	BA	ES MIN	SQ KEY
IN	2.06	1.625	3.75	.44	1.25 NPT	9.75	7.44	1.81	4.25	2.91	.38
MM	52	41.28	95	11	1.25 NPT	248	189	46	108	74	10

FRAME	UNITS	B	C	BS	2F ±.03
254T	IN	9.50	22.56	1.48	8.25
	MM	241	573	38	210
256T	IN	11.25	23.19	1.48	10.00
	MM	286	589	38	254

1: ALL ROUGH DIMENSIONS MAY VARY BY .25" DUE TO CASTING AND/OR FABRICATION VARIATIONS.
2: LARGEST MOTOR WIDTH.
3: TOLERANCE UNITS ARE IN INCHES ONLY.

4: ASSEMBLY POSITION F-2 IS SHOWN. CONDUIT OPENING MAY BE LOCATED IN STEPS OF 90° REGARDLESS OF LOCATION. STANDARD AS SHOWN WITH CONDUIT OPENING DOWN.

07-2208/A

Nidec Motor Corporation
St. Louis, Missouri

INFORMATION DISCLOSED ON THIS DOCUMENT IS CONSIDERED PROPRIETARY AND SHALL NOT BE REPRODUCED OR DISCLOSED WITHOUT WRITTEN CONSENT OF NIDEC MOTOR CORPORATION



ISSUED BY
R. KING
APPROVED BY
K. POTTER

IHP_DP_NMCA (MAR-2011) SOLIDEDGE