

EFFECTIVE:
09-MAY-11

SUPERSEDES:
01-APR-10

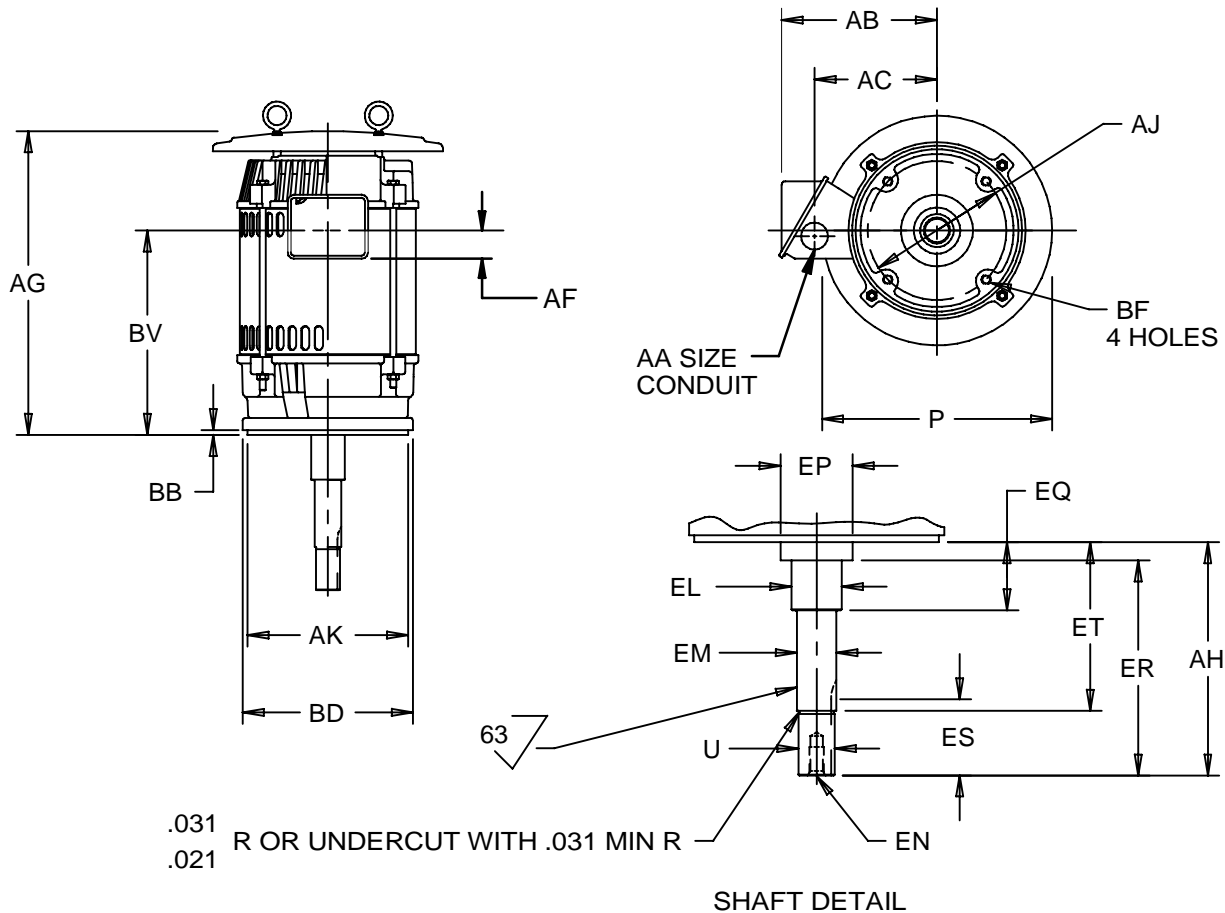
HORIZONTAL MOTORS

CLOSE-COUPLE PUMP (VERTICAL MOUNTING)

FRAME: 254JP, 256JP
BASIC TYPE: FDF-1,DEF-1

PRINT:
07-2221

SHEET:
1 OF 1



ALL DIMENSIONS ARE IN INCHES AND MILLIMETERS

UNITS	P ²	AA	AB	AC	AF	AJ	AK ⁵ -.005	BB ⁵ ±.031	BD MAX
IN	14.00	1.25 NPT	9.75	7.50	2.03	7.250	8.500	.313	10.00
MM	356		248	190	52	184.15	215.90	7.95	254

UNITS	U ⁵ -.0005	AH ⁵ ±.031	BF ³	EL ⁵ -.002	EM ⁵ -.0005	EN ³	EP MIN	EQ ⁵ ±.015
IN	1.2495	8.125	1/2-13 X .75	1.750	1.3750	1/2-13 X 1.00	1.75	2.375
MM	31.737	206.38		44.45	34.925		44	60.33

UNITS	ER MIN	ES MIN	ET ⁵ ±.015	SQ KEY
IN	8.13	2.53	5.875	.250
MM	207	64	149.23	6.35

FRAME	UNITS	AG	BV
254	IN	19.50	12.81
	MM	495	325
256	IN	20.13	13.44
	MM	511	341

- 1: ALL ROUGH CASTING DIMENSIONS MAY VARY BY .25" DUE TO CASTING VARIATIONS.
- 2: LARGEST MOTOR WIDTH.
- 3: TAP SIZE AND BOLT PENETRATION ALLOWANCE.
- 4: CONDUIT BOX MAY BE LOCATED ON EITHER SIDE AND CONDUIT OPENING MAY BE LOCATED IN STEPS OF 90 DEGREES REGARDLESS OF LOCATION. STANDARD AS SHOWN WITH CONDUIT OPENING DOWN.
- 5: TOLERANCES ARE IN INCHES ONLY.
- 6: FRAME REFERENCE: 10.750"/254/256 AND 11.125"/254//11.750"/256

TOLERANCES	
FACE RUNOUT	.004 T.I.R.
PERMISSIBLE ECCENTRICITY OF MOUNTING RABBET	.004 T.I.R.
PERMISSIBLE SHAFT RUNOUT	.002 T.I.R.

07-2221/B

Nidec Motor Corporation
St. Louis, Missouri

INFORMATION DISCLOSED ON THIS DOCUMENT IS CONSIDERED PROPRIETARY AND SHALL NOT BE REPRODUCED OR DISCLOSED WITHOUT WRITTEN CONSENT OF NIDEC MOTOR CORPORATION



ISSUED BY
O. GALLEGOS
APPROVED BY
J. MAGALLANES

IHP_DP_NMCA (MAR-2011) SOLIDEDGE