

EFFECTIVE:
14-APR-15

DIMENSION PRINT

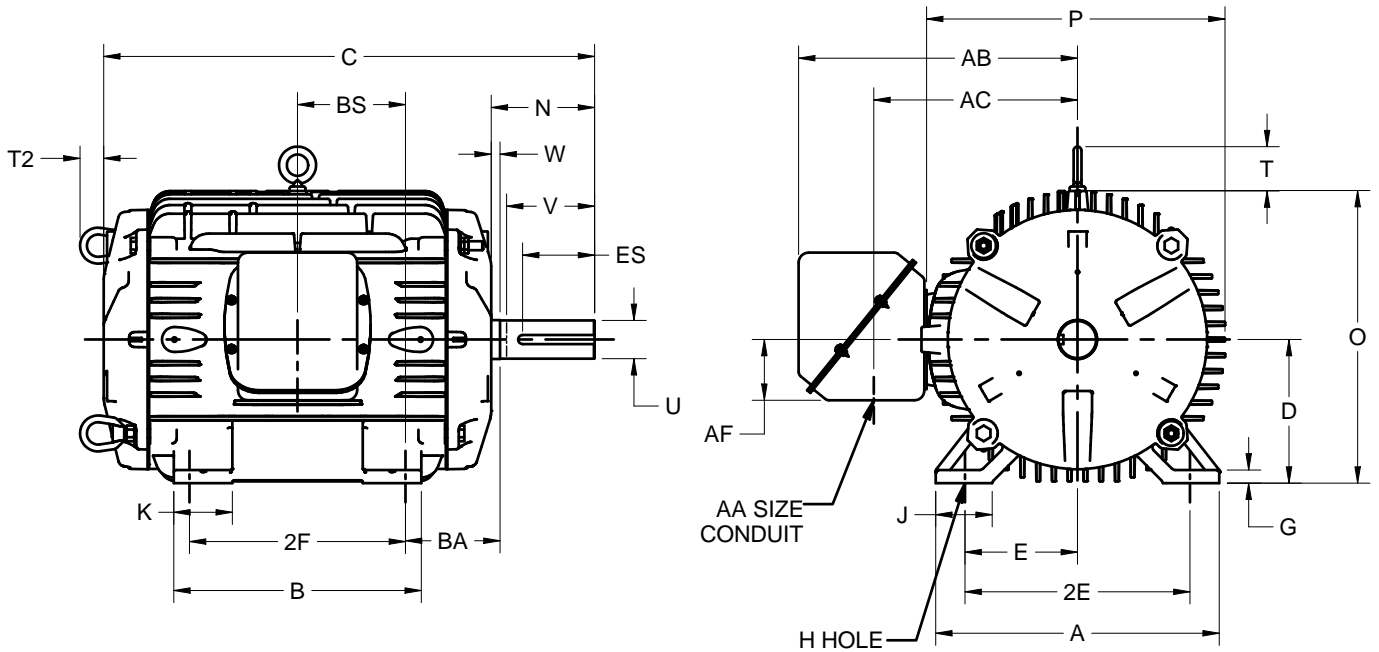
OVERSIZED OUTLET BOX

PRINT:
07-2222-01

SUPERSEDES:
NEW

FRAME: 360T
BASIC TYPE: CTN

SHEET:
1 OF 1



ALL DIMENSIONS ARE IN INCHES AND MILLIMETERS

	A	B	C	D	E	2E	G	H
IN	17.13	14.50	29.38	9.00	7.00	14.00	.81	.66
MM	435	368	746	229	178	356	21	17
	J	K	N	N-W	O	P ²	T	T2
IN	3.25	3.25	6.38	5.88	18.13	18.69	2.50	.94
MM	83	83	162	143	460	475	64	24
	U	V	W	AA	AB	AC	AF	B
IN	.001	MIN	.50	3.00	17.19	12.82	4.72	±.09
MM	60.33	143	13		437	326	120	149
	BS	ES	SQ					
IN	6.13	MIN	KEY					
MM	156	109	.625					
	FRAME	2F						
IN		±.03						
MM	364T	11.25						
IN		286						
MM	365T	12.25						
MM		311						

1. ALL ROUGH DIMENSIONS MAY VARY .25" DUE TO CASTING AND/OR FABRICATION VARIATIONS.
2. LARGEST MOTOR WIDTH
3. TOLERANCES ARE SHOWN IN INCHES.
4. CONDUIT BOX MAY BE LOCATED ON EITHER SIDE OF MOTOR. CONDUIT OPENINGS MAY BE LOCATED IN STEPS OF 90- REGARDLESS OF LOCATION. STANDARD AS SHOWN WITH CONDUIT OPENING DOWN.
5. THIS UNIT MAY HAVE HORIZONTAL LIFTING, VERTICAL LIFTING OR BOTH.

07-2222/C

Nidec Motor Corporation
St. Louis, Missouri

INFORMATION DISCLOSED ON THIS DOCUMENT IS CONSIDERED PROPRIETARY AND SHALL NOT BE REPRODUCED OR DISCLOSED WITHOUT WRITTEN CONSENT OF NIDEC MOTOR CORPORATION



ISSUED BY
R. KING
APPROVED BY
J. HAGENE

IHP_DP_NMCA (MAR-2011) SOLIDEDGE