

EFFECTIVE:
05-JUL-11

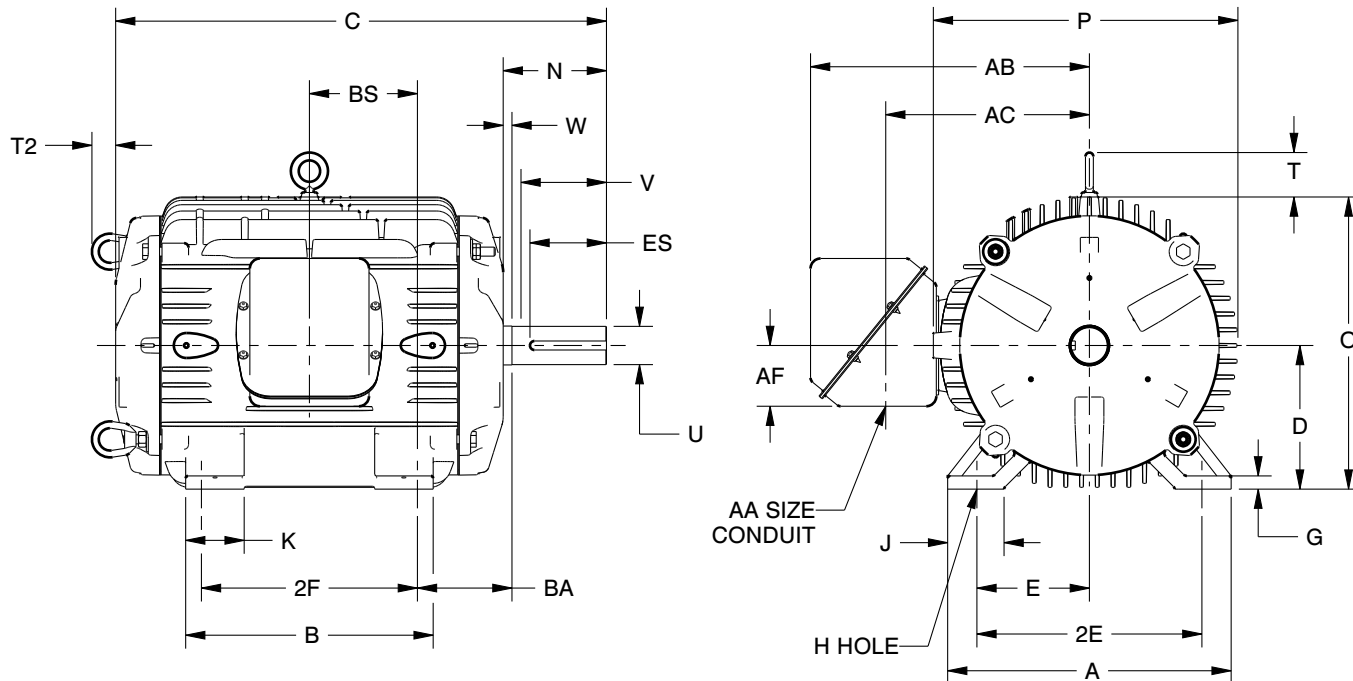
HORIZONTAL MOTORS

PRINT:
07-2222

SUPERSEDES:
25-MAY-11

FRAME: 360T
BASIC TYPE: CTN

SHEET:
1 OF 1



ALL DIMENSIONS ARE IN INCHES AND MILLIMETERS

	A	B	C	D -.06	E	2E ±.03	G	H +.05
IN	17.13	14.50	29.38	9.00	7.00	14.00	.81	.66
MM	435	368	746	229	178	356	21	17
	J	K	N	N-W	O	P ²	T	T2
IN	3.25	3.25	6.38	5.88	18.13	18.69	2.50	.94
MM	83	83	162	143	460	475	64	24
	U -.001	V MIN	W	AA	AB	AC	AF	BA ±.09
IN	2.375	5.62	.50	3.00	16.28	12.13	3.38	5.88
MM	60.33	143	13		414	308	86	149
	BS	ES MIN	SQ KEY					
IN	6.13	4.28	.625					
MM	156	109	15.88					
	FRAME	2F ±.03						
IN	364T	11.25						
MM		286						
IN	365T	12.25						
MM		311						

1. ALL ROUGH DIMENSIONS MAY VARY .25" DUE TO CASTING AND/OR FABRICATION VARIATIONS.
2. LARGEST MOTOR WIDTH
3. TOLERANCES ARE SHOWN IN INCHES.
4. CONDUIT BOX MAY BE LOCATED ON EITHER SIDE OF MOTOR. CONDUIT OPENINGS MAY BE LOCATED IN STEPS OF 90° REGARDLESS OF LOCATION. STANDARD AS SHOWN WITH CONDUIT OPENING DOWN.
5. THIS UNIT MAY HAVE HORIZONTAL LIFTING, VERTICAL LIFTING OR BOTH.

07-2222/C

Nidec Motor Corporation
St. Louis, Missouri

INFORMATION DISCLOSED ON THIS DOCUMENT
IS CONSIDERED PROPRIETARY AND SHALL NOT BE
REPRODUCED OR DISCLOSED WITHOUT WRITTEN
CONSENT OF NIDEC MOTOR CORPORATION



ISSUED BY
P. INGALE
APPROVED BY
C. CAMPILLO

IHP_DP_NMCA (MAR-2011) PROENGINEER