

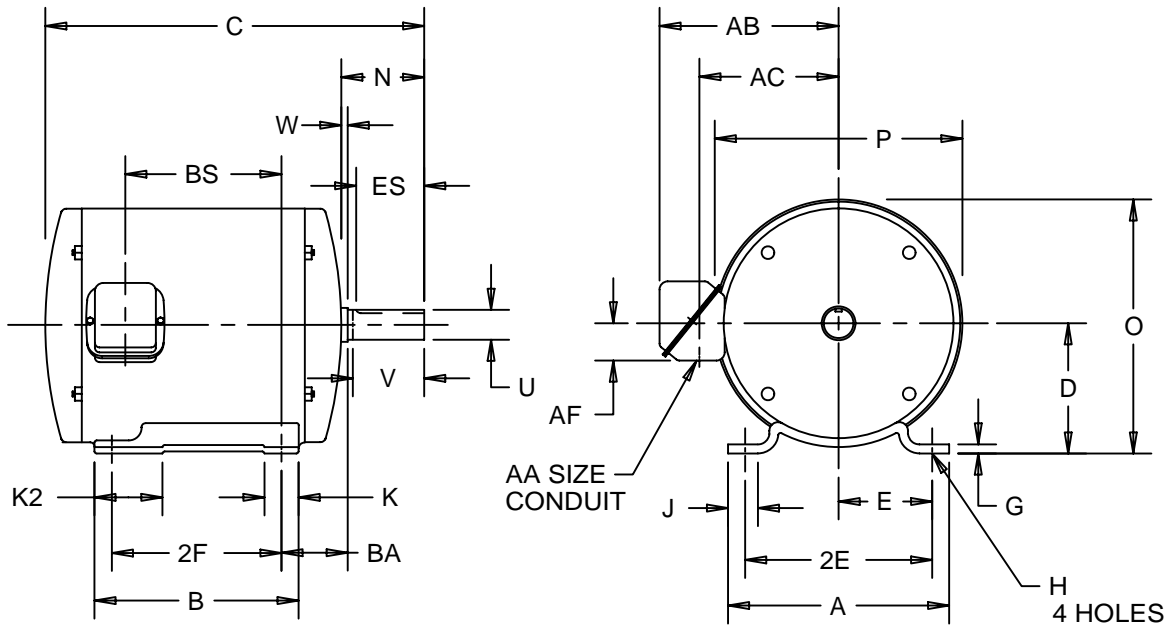
EFFECTIVE:
06-JUN-11

SUPERSEDES:
21-MAR-01

HORIZONTAL MOTORS
TEAO - 6.75" FRAME LENGTH
FRAME: 140T
BASIC TYPE: CT

PRINT:
07-2269

SHEET:
1 OF 1



ALL DIMENSIONS ARE IN INCHES AND MILLIMETERS

UNITS	A	B	C	E	G	J	K	K2	N	O	P ²
IN	6.50	6.00	11.54	2.75	.13	1.00	.94	1.88	2.38	7.38	7.75
MM	165	152	293	70	3	25	24	48	60	187	197

UNITS	V MIN	W	AA	AB	AC	AF	BA	BS	ES MIN	SQ KEY
IN	2.00	.13	.75	6.13	4.66	1.59	2.25	4.63	1.41	.188
MM	51	3		156	118	40	57	118	36	4.78

FRAME	UNITS	D -.06	2E ±.03	2F ±.03	H +.05	U -.0005
143T	IN	3.50	5.50	4.00	.34	.8750
	MM	89	140	102	9	22.23
145T	IN	3.50	5.50	5.00	.34	.8750
	MM	89	140	127	9	22.23

1: ALL ROUGH CASTING DIMENSIONS MAY VARY BY .25"
DUE TO CASTING AND/OR FABRICATION VARIATIONS.
2: LARGEST MOTOR WIDTH.

3: CONDUIT BOX MAY BE LOCATED ON EITHER SIDE
OF MOTOR. CONDUIT OPENINGS MAY BE LOCATED IN
STEPS OF 90 DEGREES REGARDLESS OF LOCATION.
STANDARD AS SHOWN WITH CONDUIT OPENING DOWN.

07-2269/B

Nidec Motor Corporation
St. Louis, Missouri

INFORMATION DISCLOSED ON THIS DOCUMENT
IS CONSIDERED PROPRIETARY AND SHALL NOT BE
REPRODUCED OR DISCLOSED WITHOUT WRITTEN
CONSENT OF NIDEC MOTOR CORPORATION



ISSUED BY
R. KING
APPROVED BY
K. POTTER

IHP_DP_NMCA (MAR-2011) SOLIDEDGE