

EFFECTIVE:
11-JUL-11

SUPERSEDES:
05-OCT-01

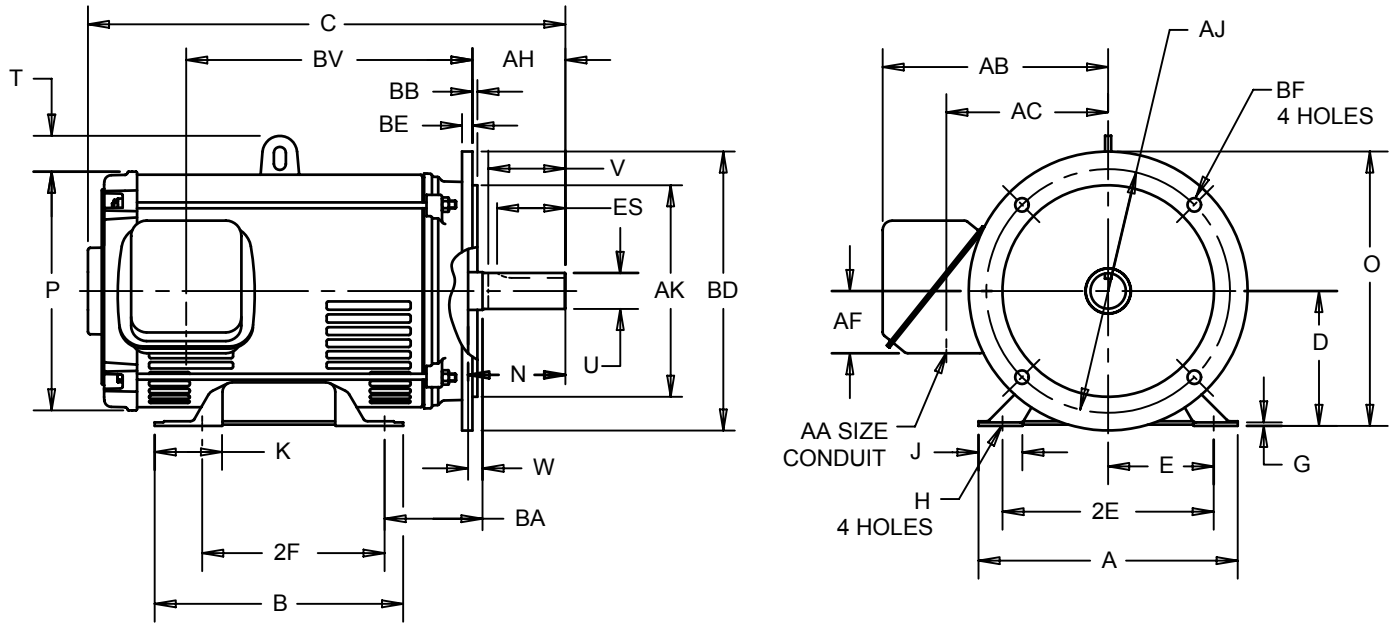
HORIZONTAL MOTORS

OPEN DRIPPROOF WITH "D" BRACKET

FRAME: 324TD THRU 326TSD
BASIC TYPE: D, DE, FD, DI

PRINT:
07-2315

SHEET:
1 OF 1



ALL DIMENSIONS ARE IN INCHES & MILLIMETERS

UNITS	A	B	D	E	2E	G	H	J	K	O	P ³	T	W
IN	15.00	14.00	8.00	6.25	12.50	.25	.69	2.31	3.81	15.13	14.19	2.19	.47
MM	381	356	203	159	318	6	18	59	97	384	360	56	12

UNITS	AA	AB	AC	AF	AJ	AK	BB	BD	BE	BF	BV	SQ	KEY
IN	2.00	12.69	9.31	3.25	16.000	14.000	.25	18.00	.69	.81	16.75	.500	
MM		322	236	83	406.40	355.60	6	457	18	21	425	12.70	

FRAME	UNITS	C	N	U	V	AH	ES
324TD,326TD	IN	27.25	5.72	2.125	5.00	5.25	4.28
	MM	692	145	53.98	127	133	109
324TSD,326TSD	IN	25.75	4.22	1.875	3.50	3.75	2.03
	MM	654	107	47.63	89	95	52

FRAME	UNITS	2F
324TD,324TSD	IN	10.50
	MM	267
326TD,326TSD	IN	12.00
	MM	305

- 1: ALL ROUGH CASTING DIMENSIONS MAY VARY BY .25" DUE TO CASTING AND/OR FABICATION VARIATIONS.
- 2: CONDUIT OPENINGS MAY BE LOCATED IN STEP OF 90° STANDARD AS SHOWN WITH CONDUIT OPENING DOWN.
- 3: LARGEST MOTOR WIDTH.
- 4: TOLERANCES SHOWN ARE IN INCHES ONLY.

TOLERANCES	
FACE RUNOUT	.007 T.I.R.
PERMISSIBLE ECCENTRICITY OF MOUNTING RABBET	.007 T.I.R.
PERMISSIBLE SHAFT RUNOUT	.003 T.I.R.

07-2315/A

Nidec Motor Corporation
St. Louis, Missouri

INFORMATION DISCLOSED ON THIS DOCUMENT IS CONSIDERED PROPRIETARY AND SHALL NOT BE REPRODUCED OR DISCLOSED WITHOUT WRITTEN CONSENT OF NIDEC MOTOR CORPORATION



ISSUED BY
A. HINGANKAR
APPROVED BY
R. KING

IHP_DP_NMCA (MAR-2011) SOLIDEDGE