

EFFECTIVE:
06-JUN-11

SUPERSEDES:
28-NOV-01

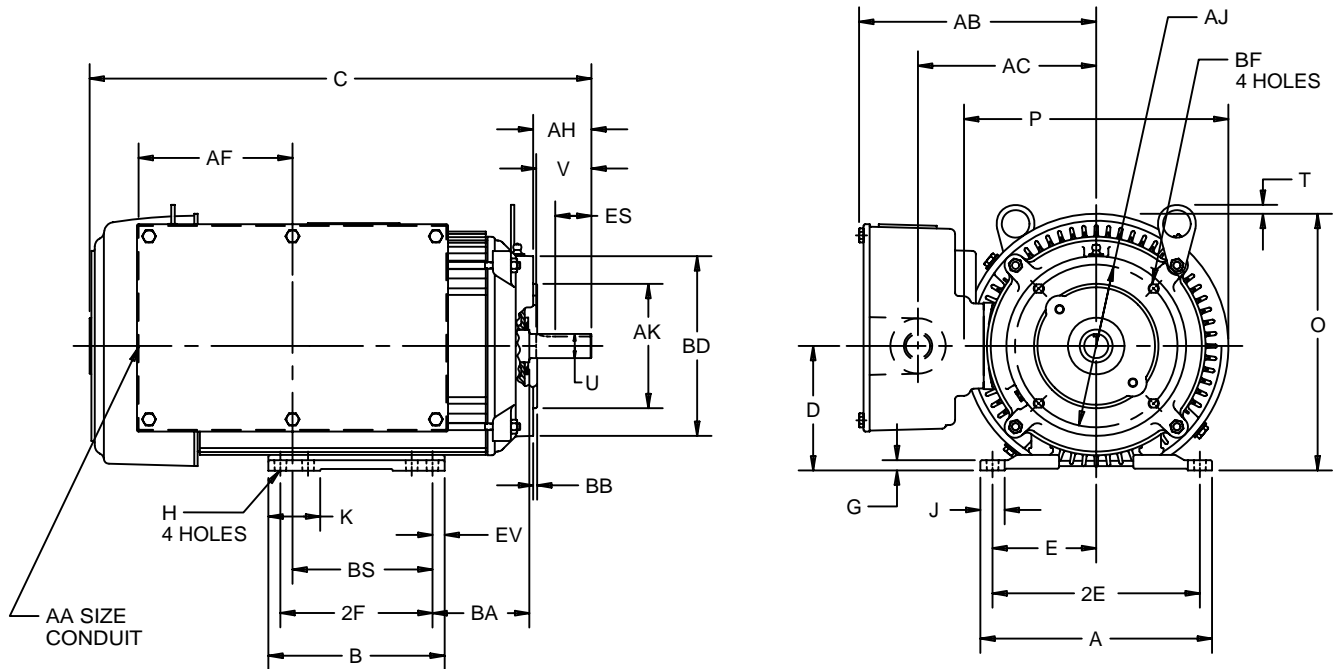
HORIZONTAL MOTORS

TEFC-FARM DUTY-SINGLE PHASE

FRAME: 184TCHZ
BASIC TYPE: TMQ

PRINT:
07-2365

SHEET:
1 OF 1



ALL DIMENSIONS ARE IN INCHES AND MILLIMETERS

A	B	C	D -.06	E	2E ±.03	2F ±.03	G	H +.05	J	K	O
8.38	6.38	18.15	4.50	3.75	7.50	5.50	.38	.41	.88	1.88	9.28
213	162	461	114	95	191	140	10	10	22	48	238

P ²	T	U -.0005	V MIN	AA	AB	AC	AF	AH	AJ	AK -.003
9.56	.33	.8750	2.00	3/4 NPT	8.58	6.45	5.56	2.12	5.875	4.500
243	8	22.225	51		218	164	141	54	149.23	114.30

BA	BB MIN	BD MAX	BF	BS	ES MIN	EV	SQ KEY
3.50	.16	6.50	.56	5.06	1.31	.44	.188
89	4	165	14	129	33	11	4.78

1: ALL ROUGH CASTING DIMENSIONS MAY VARY BY .25"
DUE TO CASTING AND/OR FABRICATION VARIATIONS.
2: LARGEST MOTOR WIDTH.

07-2365/A

Nidec Motor Corporation
St. Louis, Missouri

INFORMATION DISCLOSED ON THIS DOCUMENT
IS CONSIDERED PROPRIETARY AND SHALL NOT BE
REPRODUCED OR DISCLOSED WITHOUT WRITTEN
CONSENT OF NIDEC MOTOR CORPORATION



ISSUED BY
R. KING
APPROVED BY
K. POTTER

IHP_DP_NMCA (MAR-2011) SOLIDEDGE