

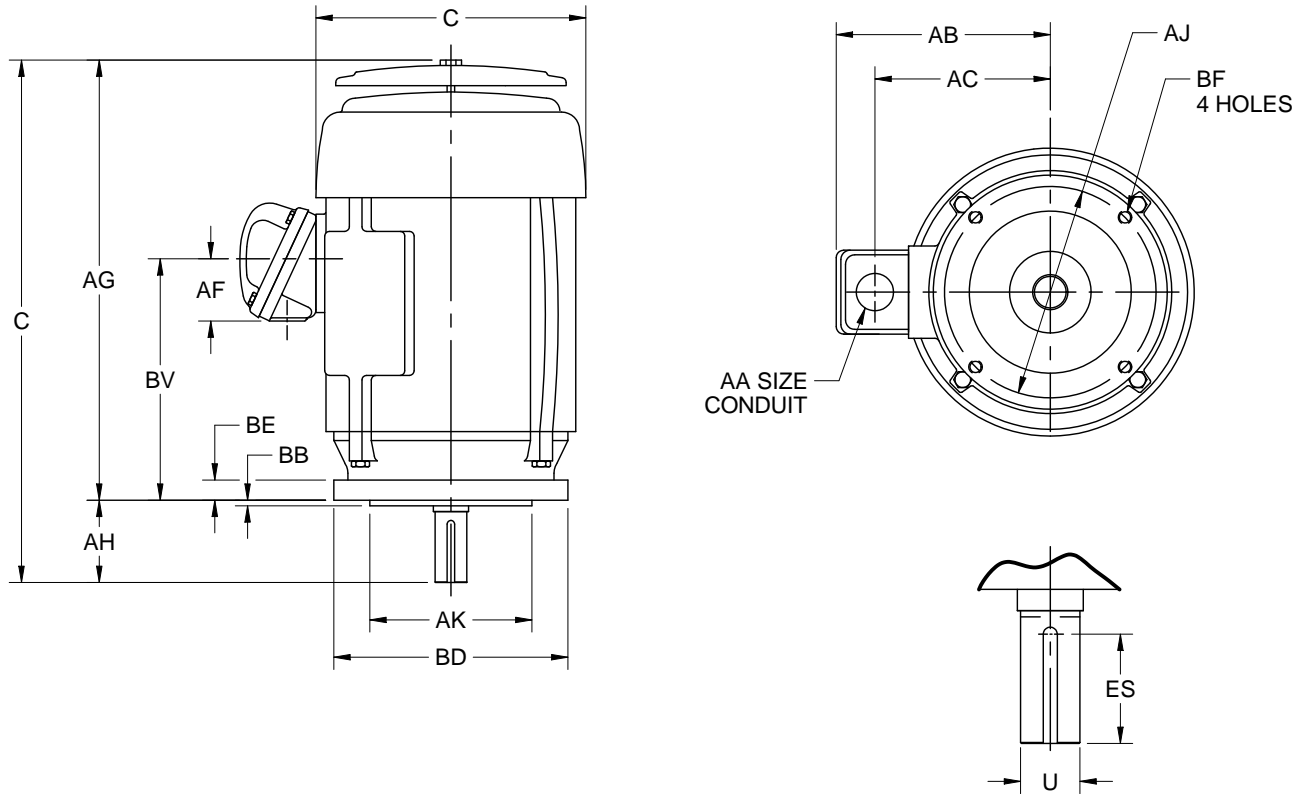
EFFECTIVE:
09-MAR-15

SUPERSEDES:
06-JUN-11

DIMENSION PRINT
TEFC - W/DRIP COVER AND OVERSIZED CAST IRON O/B
FRAME: 140TC, TCV
BASIC TYPE: CEF, CTF, TCF, TVC

PRINT:
07-2370

SHEET:
1 OF 1



ALL DIMENSIONS ARE IN INCHES AND MILLIMETERS

UNITS	C	P ⁵	U -.0005	AA	AB	AC	AF	AG	AH ⁶	AJ	AK -.003
IN	14.68	7.75	.8750	3/4 NPT	7.31	5.06	2.13	12.55	2.13	5.875	4.500
mm	373	197	22.225		186	129	54	319	54	149.23	114.30

UNITS	BB MAX	BD MAX	BE	BF ²	BV	ES MIN	SQ KEY
IN	.16	6.50	.56	3/8-16 X .56	6.88	1.41	1.88
mm	4	165	14		175	36	4.78

TOLERANCES	
FACE RUNOUT	.004 T.I.R.
PERMISSIBLE ECCENTRICITY OF MOUNTING RABBET	.004 T.I.R.
PERMISSIBLE SHAFT RUNOUT	.002 T.I.R.
SPECIAL SHAFT RUNOUT	.001 T.I.R.

- ALL ROUGH CASTING DIMENSIONS MAY VARY BY .25" DUE TO CASTING AND/OR FABRICATION VARIATIONS.
- TAP SIZE AND BOLT PENETRATION ALLOWANCE.
- OVERSIZED CONDUIT BOX SUPPLIED AS STANDARD ON TYPE CEF.

- CONDUIT OPENING MAY BE LOCATED IN STEPS OF 90 DEGREES, STANDARD AS SHOWN WITH CONDUIT OPENING DOWN.
- LARGEST MOTOR WIDTH.
- DIMENSION MEASURED WITH MOTOR IN VERTICAL POSITION SHAFT DOWN.
- TOLERANCES SHOWN ARE IN INCHES ONLY.

07-2370/C

Nidec Motor Corporation
St. Louis, Missouri

INFORMATION DISCLOSED ON THIS DOCUMENT IS CONSIDERED PROPRIETARY AND SHALL NOT BE REPRODUCED OR DISCLOSED WITHOUT WRITTEN CONSENT OF NIDEC MOTOR CORPORATION



ISSUED BY
M. YRISSON
APPROVED BY
F. LARA

IHP_DP_NMCA (MAR-2011) SOLIDEDGE