

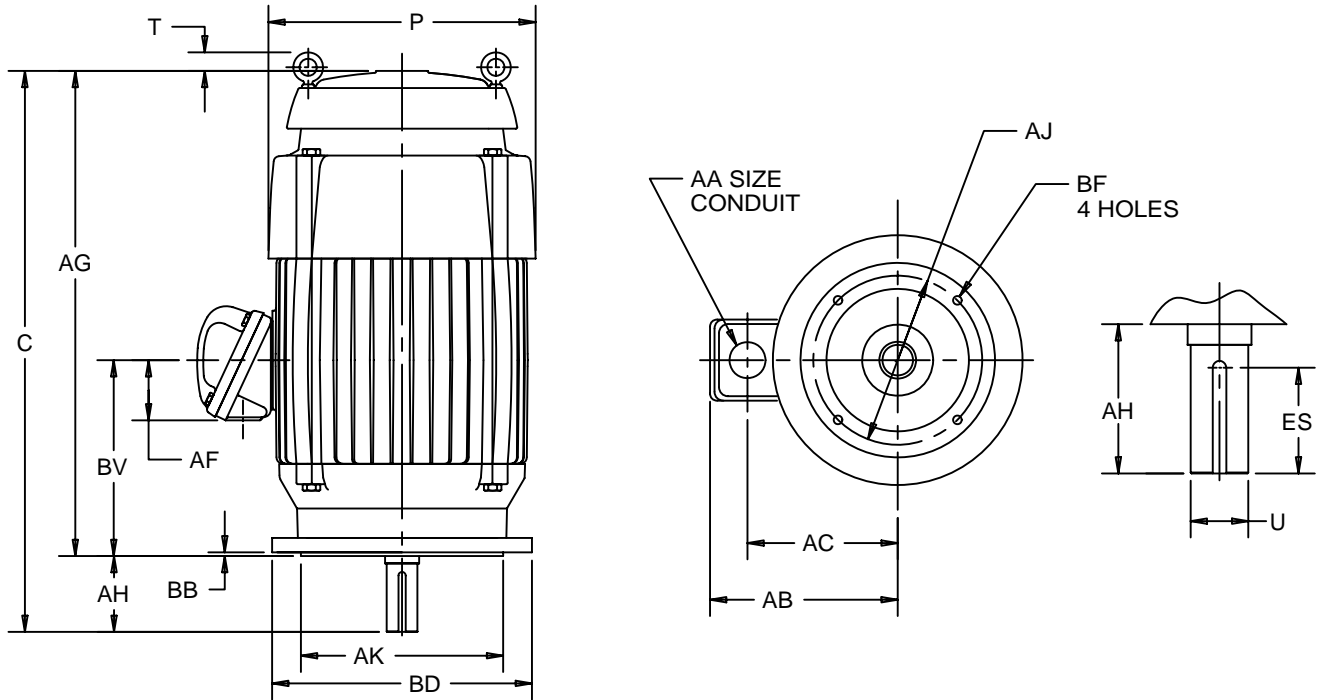
EFFECTIVE:
06-JUL-11

SUPERSEDES:
18-JAN-02

VERTICAL MOTORS
TEFC-W/DRIP COVER
FRAME: 284, 286TC
BASIC TYPE: CEF

PRINT:
07-2371

SHEET:
1 OF 1



ALL DIMENSIONS ARE IN INCHES AND MILLIMETERS

UNITS	C	P ⁵	T	U -.001	AA	AB	AC	AF	AG	AH ³	AJ	AK -.003
IN	31.06	14.56	1.50	1.875	2 NPT	13.19	9.69	3.25	26.69	4.38	9.000	10.500
mm	789	370	38	47.63		335	246	83	678	111	228.60	266.70

UNITS	BB MIN	BD MAX	BF ²	BV	ES MIN	SQ KEY
IN	.25	11.25	1/2-13 X .75	10.50	3.28	.500
mm	6	286		267	83	12.70

1: ALL ROUGH CASTING DIMENSIONS MAY VARY BY .25" DUE TO CASTING AND/OR FABRICATION VARIATIONS.
2: TAP SIZE AND BOLT PENETRATION ALLOWANCE.
3: DIMENSION MEASURED WITH MOTOR IN VERTICAL POSITION, SHAFT DOWN.

4: CONDUIT OPENING MAY BE LOCATED IN STEPS OF 90 DEGREES, STANDARD AS SHOWN WITH CONDUIT OPENING DOWN.
5: LARGEST MOTOR WIDTH.
6: TOLERANCES SHOWN ARE IN INCHES ONLY.

TOLERANCES	
FACE RUNOUT	.004 T.I.R.
PERMISSIBLE ECCENTRICITY OF MOUNTING RABBET	.004 T.I.R.
PERMISSIBLE SHAFT RUNOUT	.001 T.I.R.

07-2371/B

Nidec Motor Corporation
St. Louis, Missouri

INFORMATION DISCLOSED ON THIS DOCUMENT IS CONSIDERED PROPRIETARY AND SHALL NOT BE REPRODUCED OR DISCLOSED WITHOUT WRITTEN CONSENT OF NIDEC MOTOR CORPORATION



ISSUED BY
R. KING
APPROVED BY
K. POTTER

IHP_DP_NMCA (MAR-2011) SOLIDEDGE