

EFFECTIVE:
10-MAY-11

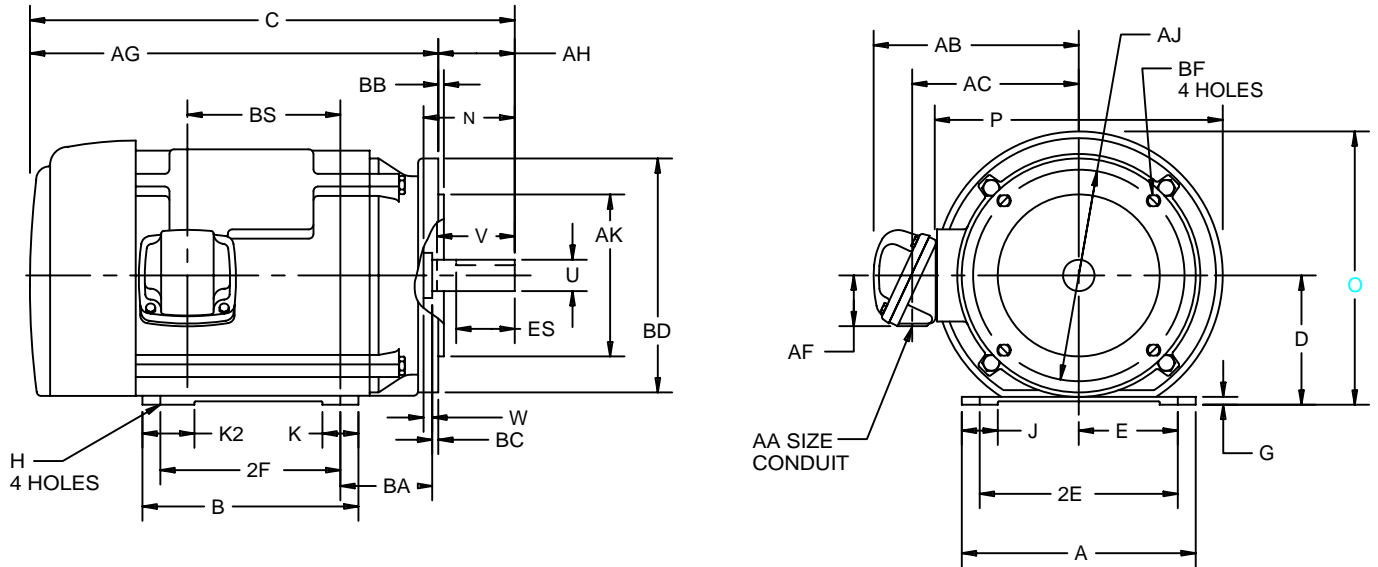
HORIZONTAL MOTORS WITH NEMA "C" BRACKET

PRINT:
07-2375

SUPERSEDES:
12-FEB-02

FRAME: 140TC
BASIC TYPE: TC

SHEET:
1 OF 1



ALL DIMENSIONS ARE IN INCHES AND MILLIMETERS

UNITS	A	B	C	D -.06	E	2E ±.03	G	H +.05	J	K	K2	N	O	P
IN	6.50	6.00	13.50	3.50	2.75	5.50	.16	.34	.94	.94	1.94	2.44	7.50	8.00
mm	165	152	343	89	70	140	4	9	24	24	49	62	191	203

UNITS	U -.0005	V MIN	W	AA	AB	AC	AF	AG	AH	AJ	AK -.003
IN	.8750	2.06	.19	3/4 NPT	7.00	5.38	1.75	11.38	2.13	5.875	4.500
mm	22.225	52	5		178	137	44	289	54	149.23	114.30

UNITS	BA	BB -.06	BC	BD MAX	BF ⁴	BS	ES MIN	SQ KEY
IN	2.75	.16	.13	6.50	3/8-16 x .56	3.75	1.41	.188
mm	70	4	3	165		95	36	4.78

FRAME	UNITS	2F ±.03
143TC	IN	4.00
	mm	102
145TC	IN	5.00
	mm	127

TOLERANCES	
FACE RUNOUT	.004 T.I.R.
PERMISSIBLE ECCENTRICITY OF MOUNTING RABBET	.004 T.I.R.
PERMISSIBLE SHAFT RUNOUT	.002 T.I.R.

- 1) ALL ROUGH DIMENSIONS MAY VARY BY .25" DUE TO CASTING &/OR FABRICATION VARIATIONS.
- 2) ALL TAPPED HOLES ARE UNIFIED NATIONAL COARSE, RIGHT HAND THREAD.
- 3) CONDUIT BOX CAN BE LOCATED ON EITHER SIDE AND OPENING MAY BE LOCATED IN STEPS OF 90 DEGREES REGARDLESS OF LOCATION. STANDARD AS SHOWN WITH CONDUIT OPENING DOWN.
- 4) TAP SIZE AND BOLT PENETRATION ALLOWANCE.
- 5) TOLERANCES ARE IN INCHES ONLY.

07-2375/A

Nidec Motor Corporation
St. Louis, Missouri

INFORMATION DISCLOSED ON THIS DOCUMENT IS CONSIDERED PROPRIETARY AND SHALL NOT BE REPRODUCED OR DISCLOSED WITHOUT WRITTEN CONSENT OF NIDEC MOTOR CORPORATION



ISSUED BY
R. KING
APPROVED BY
K. POTTER

IHP_DP_NMCA (MAR-2011) SOLIDEDGE