

EFFECTIVE:
24-FEB-12

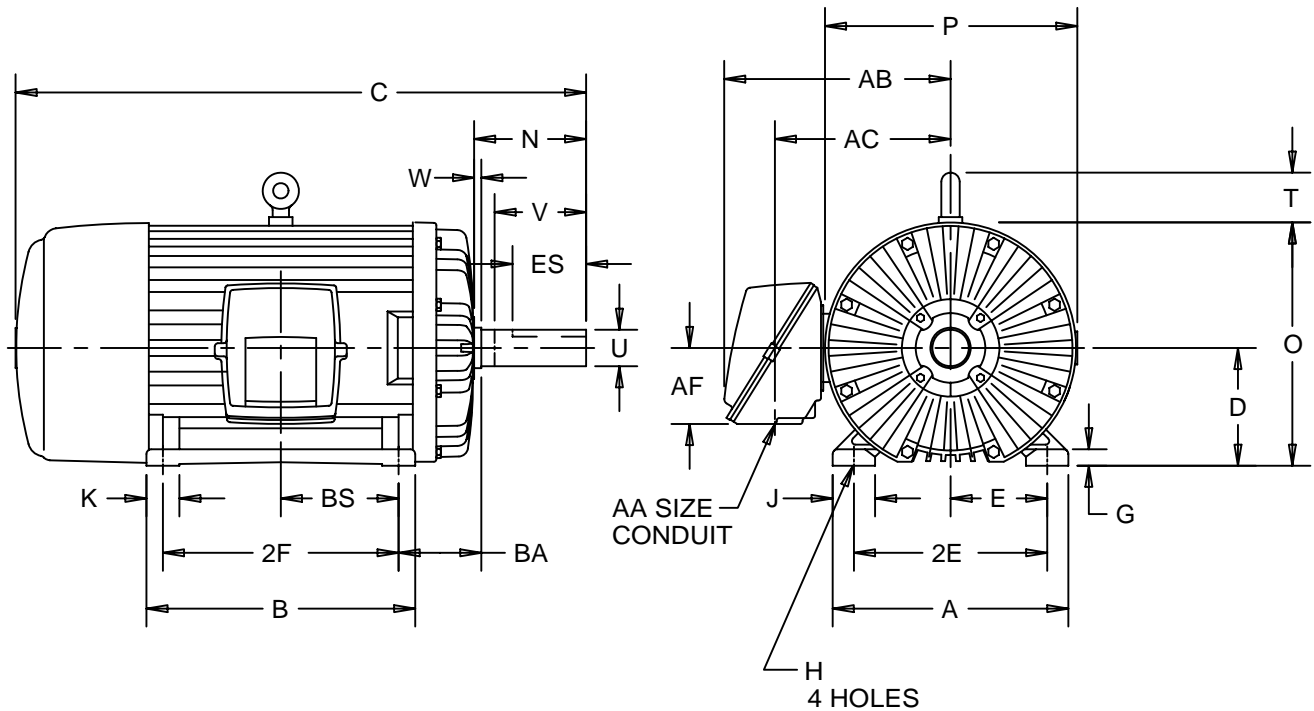
SUPERSEDES:
08-OCT-03

HORIZONTAL MOTORS

AUTOMOTIVE DUTY
FRAME: 5004,5008S,SS
BASIC TYPE: JAD,JDE

PRINT:
07-2461

SHEET:
1 OF 1



ALL DIMENSIONS ARE IN INCHES AND MILLIMETERS

UNITS	A	D -.06	E	2E ±.03	G	H +.05	J	K	P ²	W	BA
IN	25.00	12.50	10.00	20.00	1.75	.94	4.50	3.50	26.63	.25	8.50
MM	635	318	254	508	44	24	114	89	676	6	216

FRAME	UNITS	C	N	U -.001	V MIN	ES MIN	SQ KEY
5004	IN	53.25	11.88	3.875	11.25	10.00	1.000
	MM	1353	302	98.43	286	254	25.40
5004G	IN	52.13	10.75	3.500	10.19	9.00	.875
	MM	1324	273	88.90	259	229	22.22
5004S	IN	47.38	6.00	2.875	5.50	4.13	.750
	MM	1204	152	73.03	140	105	19.05
5004SS	IN	46.38	5.00	2.375	4.50	3.13	.625
	MM	1178	127	60.33	114	80	15.88
5008	IN	62.25	11.88	3.875	11.25	10.00	1.000
	MM	1581	302	98.43	286	254	25.40
5008G	IN	61.13	10.75	3.500	10.19	9.00	.875
	MM	1553	273	88.90	259	229	22.22
5008S	IN	56.38	6.00	2.875	5.50	4.13	.750
	MM	1432	152	73.03	140	105	19.05
5008SS	IN	55.38	5.00	2.375	4.50	3.13	.625
	MM	1407	127	60.33	114	80	15.88

BASIC FRAME	UNITS	B	2F ±.03	O	T	BS
5004	IN	19.50	16.00	25.88	3.25	8.00
	MM	495	406	657	83	203
5008	IN	28.50	25.00	26.38	4.13	12.50
	MM	724	635	670	105	318

VOLTS	UNITS	AA	AB	AC	AF
460	IN	3 1/2 NPT	23.81	18.50	8.06
	MM		605	470	205
2300	IN		23.81	18.50	8.06
	MM		605	470	205
4000	IN		24.81	19.50	10.00
	MM		630	495	254

1: ALL ROUGH DIMENSIONS MAY VARY BY .25" DUE TO CASTING AND/OR FABRICATION VARIATIONS.
2: LARGEST MOTOR WIDTH.
3: TOLERANCES SHOWN ARE IN INCHES ONLY.

4: CONDUIT BOX MAY BE LOCATED ON EITHER SIDE OF MOTOR. CONDUIT OPENINGS MAY BE LOCATED IN STEPS OF 90 DEGREES REGARDLESS OF LOCATION. STANDARD AS SHOWN WITH CONDUIT OPENING DOWN.

Nidec Motor Corporation
St. Louis, Missouri

INFORMATION DISCLOSED ON THIS DOCUMENT IS CONSIDERED PROPRIETARY AND SHALL NOT BE REPRODUCED OR DISCLOSED WITHOUT WRITTEN CONSENT OF NIDEC MOTOR CORPORATION



ISSUED BY
R. KING
APPROVED BY
K. POTTER

IHP_DP_NMCA (MAR-2011) SOLIDEDGE