

EFFECTIVE:
04-MAY-11

HORIZONTAL MOTORS

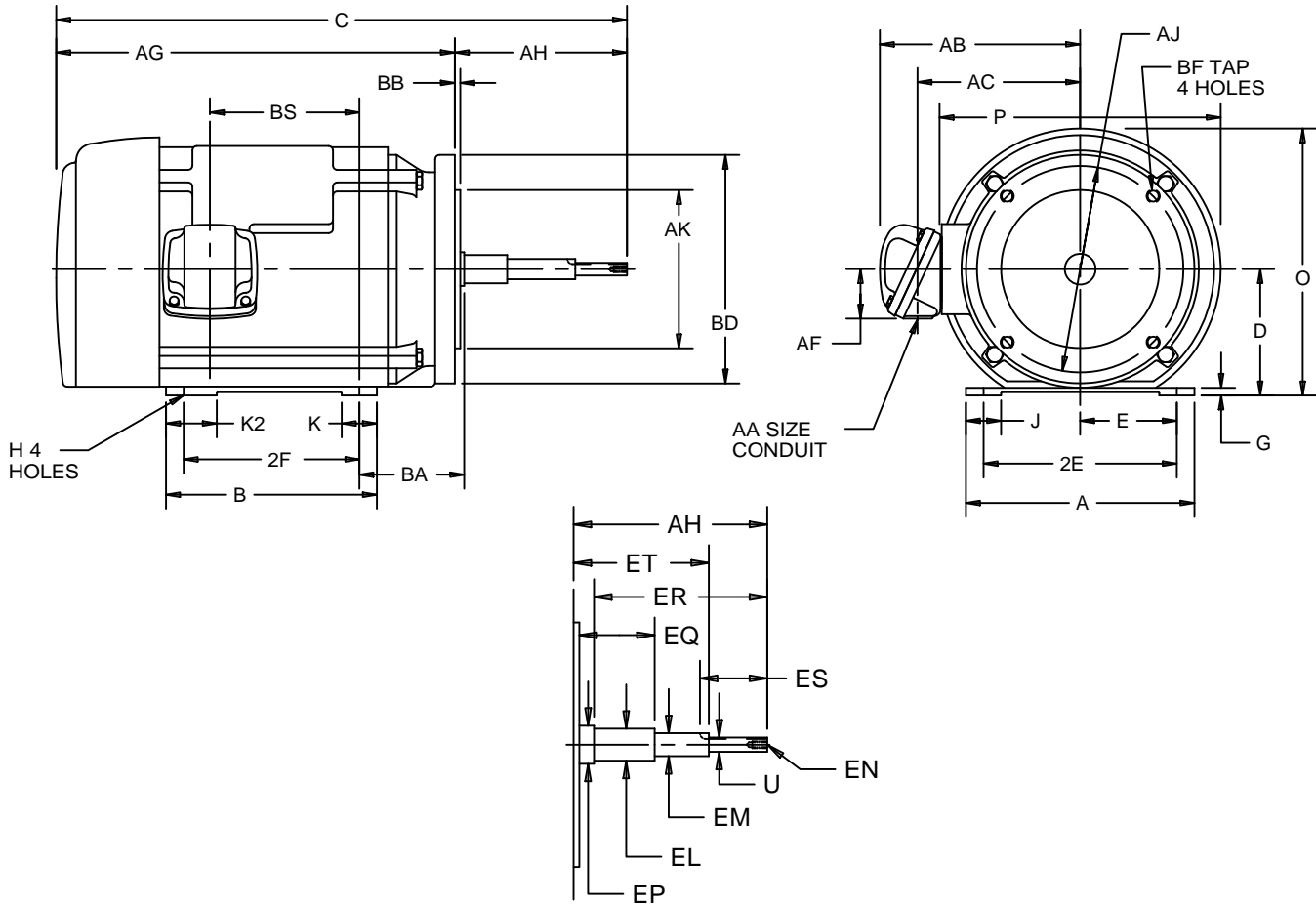
EXPLOSION PROOF - CLOSE COUPLE PUMP

FRAME: 143, 145JM
BASIC TYPE: L4

PRINT:
07-2468

SUPERSEDES:
15-MAY-02

SHEET:
1 OF 1



ALL DIMENSIONS ARE IN INCHES AND MILLIMETERS

UNITS	A	B	C	D -.06	E	2E ±.03	G	H +.05	J	K	K2	O	P
IN	6.50	6.00	15.63	3.50	2.75	5.50	.16	.34	.94	.94	1.94	7.50	8.00
MM	165	152	397	89	70	140	4	9	24	24	49	191	203

UNITS	U -.0005	AA	AB	AC	AF	AG	AH ±.031	AJ	AK -.003	BA	BB -.03	BD MAX
IN	.8745	3/4 NPT	6.94	5.31	1.75	11.38	4.250	5.875	4.500	2.75	.16	6.50
MM	22.212		176	135	44	289	107.95	149.23	114.30	70	4.1	165

UNITS	BF 4	BS	EL -.002	EM -.0005	EN	EP MIN	EQ ±.015	ER MIN	EQ ±.015	ES MIN	SQ KEY
IN	3/8-16 x .56	3.75	1.156	1.0000	3/8-16 x .75	1.16	.625	4.25	2.875	1.65	.188
MM		95	29.36	25.400		29	15.88	108	73.03	42	4.78

FRAME	UNITS	2F ±.03
143JM	IN	4.00
	MM	102
145JM	IN	5.00
	MM	127

- 1) ALL ROUGH DIMENSIONS MAY VARY BY .25" DUE TO CASTING AND/OR FABRICATION VARIATIONS.
- 2) ALL TAPPED HOLES ARE UNIFIED NATIONAL COARSE, RIGHT HAND THREAD.
- 3) CONDUIT BOX CAN BE LOCATED ON EITHER SIDE AND OPENING MAY BE LOCATED IN STEPS OF 90 DEGREES REGARDLESS OF LOCATION. STANDARD AS SHOWN WITH CONDUIT OPENING DOWN.
- 4) TAP SIZE AND BOLT PENETRATION ALLOWANCE.
- 5) TOLERANCES SHOWN ARE IN INCHES ONLY.

TOLERANCES	
FACE RUNOUT	.004 T.I.R.
PERMISSIBLE ECCENTRICITY OF MOUNTING RABBIT	.004 T.I.R.
PERMISSIBLE SHAFT RUNOUT	.002 T.I.R.

07-2468/A

Nidec Motor Corporation
St. Louis, Missouri

INFORMATION DISCLOSED ON THIS DOCUMENT
IS CONSIDERED PROPRIETARY AND SHALL NOT BE
REPRODUCED OR DISCLOSED WITHOUT WRITTEN
CONSENT OF NIDEC MOTOR CORPORATION



ISSUED BY
L. CUESTA
APPROVED BY
D. PEREZ

IHP_DP_NMCA (MAR-2011) SOLIDEDGE