

EFFECTIVE:  
22-MAR-11

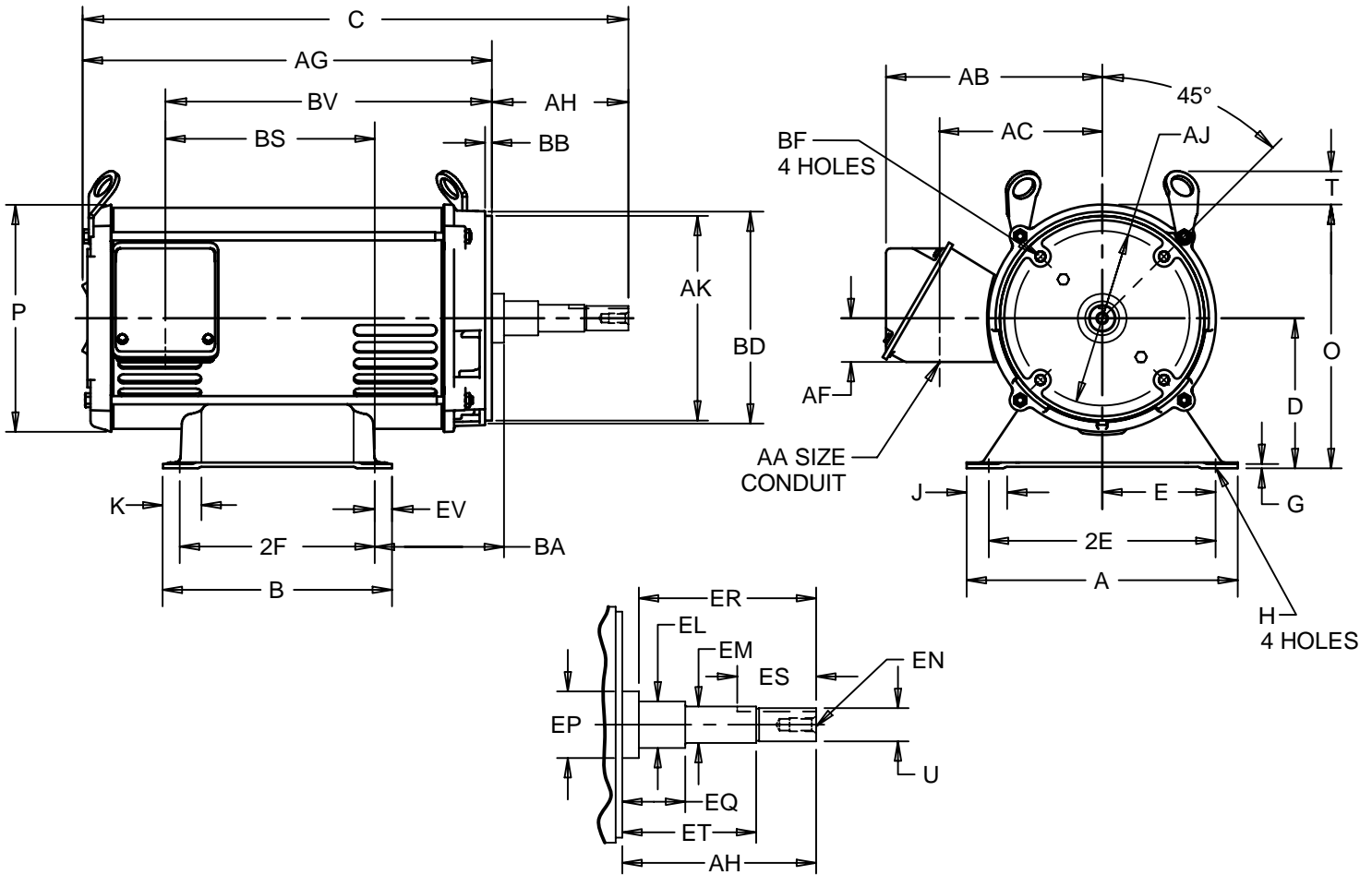
# HORIZONTAL MOTORS

ODP - CLOSE COUPLED PUMP  
FRAME: A254JM  
BASIC TYPE: D

PRINT:  
07-2475

SUPERSEDES:  
12-JUL-02

SHEET:  
1 OF 1



ALL DIMENSIONS ARE IN INCHES AND MILLIMETERS

UNITS	A	B	C	D	E	2E	2F	G	H	J	K	O	P <sup>2</sup>
IN	11.25	9.50	22.13	6.25	5.00	10.00	8.25	.19	.56	1.44	1.38	11.00	9.44
MM	286	241	562	159	127	254	210	5	14	37	35	279	240

UNITS	T	U	AA	AB	AC	AF	AG	AH	AJ	AK	BA	BB	BD
		-.0005						±.031		-.003		±.031	MAX
IN	1.00	1.2495	1.25	9.19	6.78	1.81	16.88	5.250	7.250	8.500	4.75	.281	10.00
MM	25	31.737		233	172	46	429	133.35	184.15	215.90	121	7.14	254

UNITS	BF <sup>3</sup>	BS	BV	EL	EM	EN <sup>3</sup>	EP	EQ	ER	ES	ET	EV	SQ
				-.002	-.0005		MIN	+.015	MIN	MIN	+.015		KEY
IN		6.88	11.88	1.750	1.3750	1/2-13 x 1.00	1.75	.625	5.25	2.53	3.000	.63	.250
MM	1/2-13 X .75	175	302	44.45	34.925		45	15.88	133	64	76.20	16	6.35

- 1: ALL ROUGH DIMENSIONS MAY VARY BY .25" DUE TO CASTING AND/OR FABRICATION VARIATIONS.
- 2: LARGEST MOTOR WIDTH.
- 3: TAP SIZE AND BOLT PENETRATION ALLOWANCE.
- 4: ALL TAPPED HOLES ARE UNIFIED NATIONAL COARSE, RIGHT HAND THREAD.
- 5: CONDUIT BOX MAY BE LOCATED ON EITHER SIDE AND CONDUIT OPENING MAY BE LOCATED IN STEPS OF 90 DEGREES REGARDLESS OF LOCATION. STANDARD AS SHOWN WITH CONDUIT OPENING DOWN.
- 6: TOLERANCES SHOWN ARE IN INCHES ONLY.
- 7: FRAME REFERENCE: 254/14.024

TOLERANCES	
FACE RUNOUT	.004 T.I.R.
PERMISSIBLE ECCENTRICITY OF MOUNTING RABBET	.004 T.I.R.
PERMISSIBLE SHAFT RUNOUT	.002 T.I.R.

07-2475/A

**Nidec Motor Corporation**  
St. Louis, Missouri

INFORMATION DISCLOSED ON THIS DOCUMENT IS CONSIDERED PROPRIETARY AND SHALL NOT BE REPRODUCED OR DISCLOSED WITHOUT WRITTEN CONSENT OF NIDEC MOTOR CORPORATION



ISSUED BY  
**R. KING**  
APPROVED BY  
**K. POTTER**

IHP\_DP\_NMCA (MAR-2011) SOLIDEDGE