

EFFECTIVE:  
**19-MAY-11**

# HORIZONTAL MOTORS

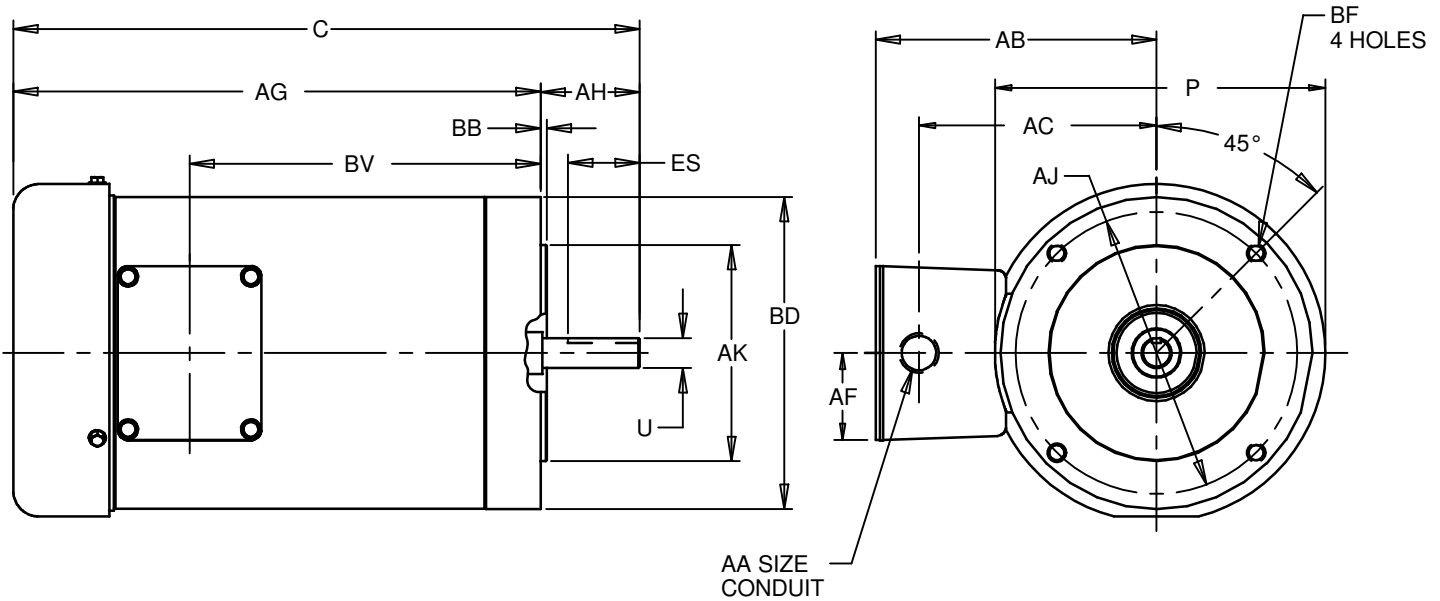
TEFC, STAINLESS STEEL FRAME, FOOTLESS

PRINT:  
**07-2489**

SUPERSEDES:  
**03-MAR-04**

FRAME: 56C  
BASIC TYPE: SSF

SHEET:  
**1 OF 1**



ALL DIMENSIONS ARE IN INCHES AND MILLIMETERS

UNITS	C	P <sup>2</sup>	U -.0005	AA	AB	AC	AF	AG	AH	AJ	AK -.003
IN	13.16	7.06	.6250	1/2 NPT	6.00	4.94	1.81	11.03	2.06	5.875	4.500
mm	334	179	15.875		152	125	46	280	52	149.23	114.30

UNITS	BB	BD	BF <sup>3</sup>	BV	ES MIN	SQ KEY
IN	.13	6.500	3/8-16 X .75	5.03	1.41	.188
mm	3	165.10		128	36	4.78

- 1: ALL ROUGH DIMENSIONS MAY VARY .25" DUE TO CASTING AND/OR FABRICATION VARIATIONS.
- 2: LARGEST MOTOR WIDTH.
- 3: TAP SIZE AND BOLT PENETRATION ALLOWANCE.
- 4: ALL TAPPED HOLES ARE UNIFIED NATIONAL COARSE, RIGHT HAND THREAD.
- 5: TOLERANCES ARE ALL IN INCHES.
- 6: FRAME REFERENCE: 7.750/56

TOLERANCES	
FACE RUNOUT	.004 T.I.R
PERMISSIBLE ECCENTRICITY OF MOUNTING RABBIT	.004 T.I.R
PERMISSIBLE SHAFT RUNOUT	.002 T.I.R

07-2489/B

**Nidec Motor Corporation**  
St. Louis, Missouri

INFORMATION DISCLOSED ON THIS DOCUMENT IS CONSIDERED PROPRIETARY AND SHALL NOT BE REPRODUCED OR DISCLOSED WITHOUT WRITTEN CONSENT OF NIDEC MOTOR CORPORATION



ISSUED BY  
**A. HINGANKAR**  
APPROVED BY  
**R. KING**

IHP\_DP\_NMCA (MAR-2011) SOLIDEDGE