

EFFECTIVE:
11-JUL-16

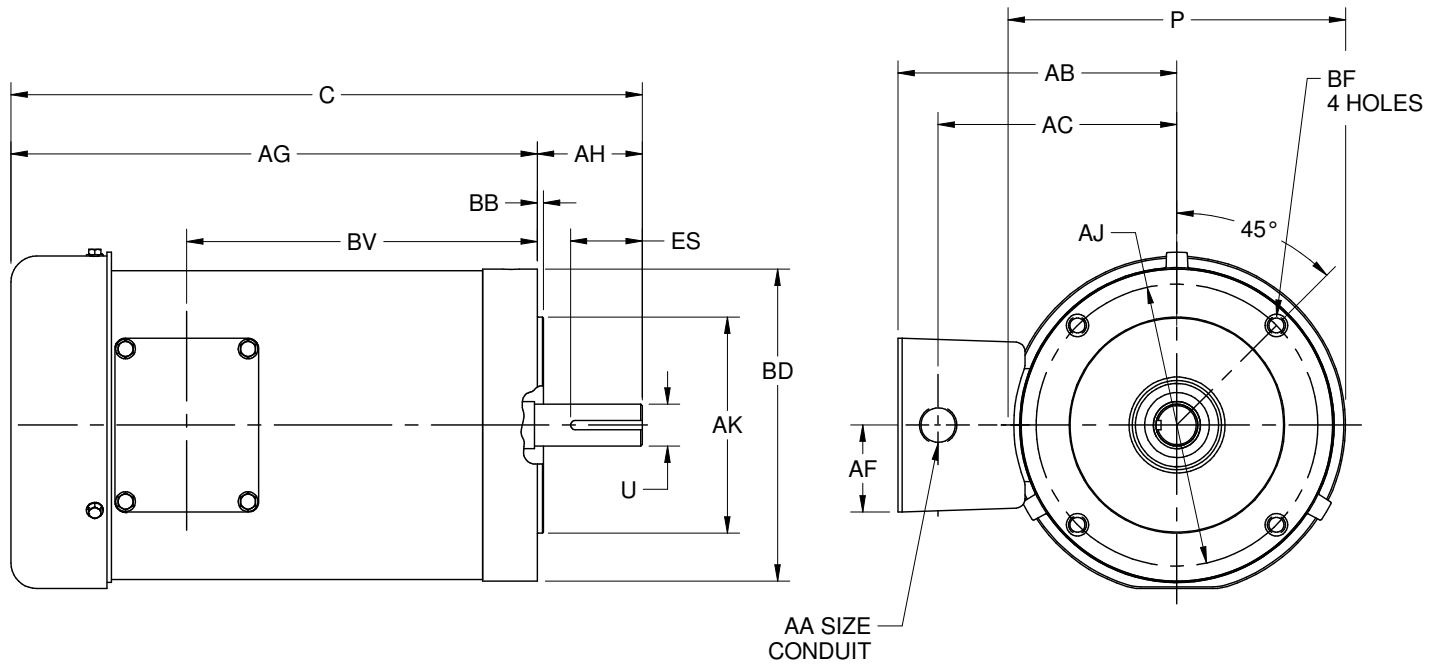
DIMENSION PRINT
TEFC, STAINLESS STEEL FRAME, FOOTLESS

PRINT:
07-2491

SUPERSEDES:
20-MAY-11

FRAME: 140TC
BASIC TYPE: FSSF, SSEF

SHEET:
1 OF 1



ALL DIMENSIONS ARE IN INCHES AND MILLIMETERS

UNITS	C	P ²	U -.0005	AA	AB	AC	AF	AG	AH	AJ	AK -.003
IN	13.16	7.06	.8750	1/2 NPT	6.00	4.94	1.81	11.03	2.06	5.875	4.500
MM	334	179	22.225		152	125	46	280	52	149.23	114.30

UNITS	BB	BD	BF ³	BV	ES MIN	SQ KEY
IN	.13	6.500	3/8-16 X .75	7.32	1.41	.188
MM	3	165.10		186	36	4.78

- ALL ROUGH DIMENSIONS MAY VARY .25" DUE TO CASTING AND/OR FABRICATION VARIATIONS.
- LARGEST MOTOR WIDTH.
- TAP SIZE AND BOLT PENETRATION ALLOWANCE.
- ALL TAPPED HOLES ARE UNIFIED NATIONAL COARSE, RIGHT HAND THREAD.
- TOLERANCES ARE ALL IN INCHES.
- FRAME REFERENCE: 7.750"/56/143/145.

TOLERANCES	
FACE RUNOUT	.004 T.I.R.
PERMISSIBLE ECCENTRICITY OF MOUNTING RABBET	.004 T.I.R.
PERMISSIBLE SHAFT RUNOUT	.002 T.I.R.

07-2491/C

Nidec Motor Corporation
St. Louis, Missouri

INFORMATION DISCLOSED ON THIS DOCUMENT IS CONSIDERED PROPRIETARY AND SHALL NOT BE REPRODUCED OR DISCLOSED WITHOUT WRITTEN CONSENT OF NIDEC MOTOR CORPORATION



ISSUED BY
F. CRUZ
APPROVED BY
D. ZAMBRANO

IHP_DP_NMCA (MAR-2011) SOLIDEDGE