

EFFECTIVE:
25-MAY-11

HORIZONTAL MOTORS

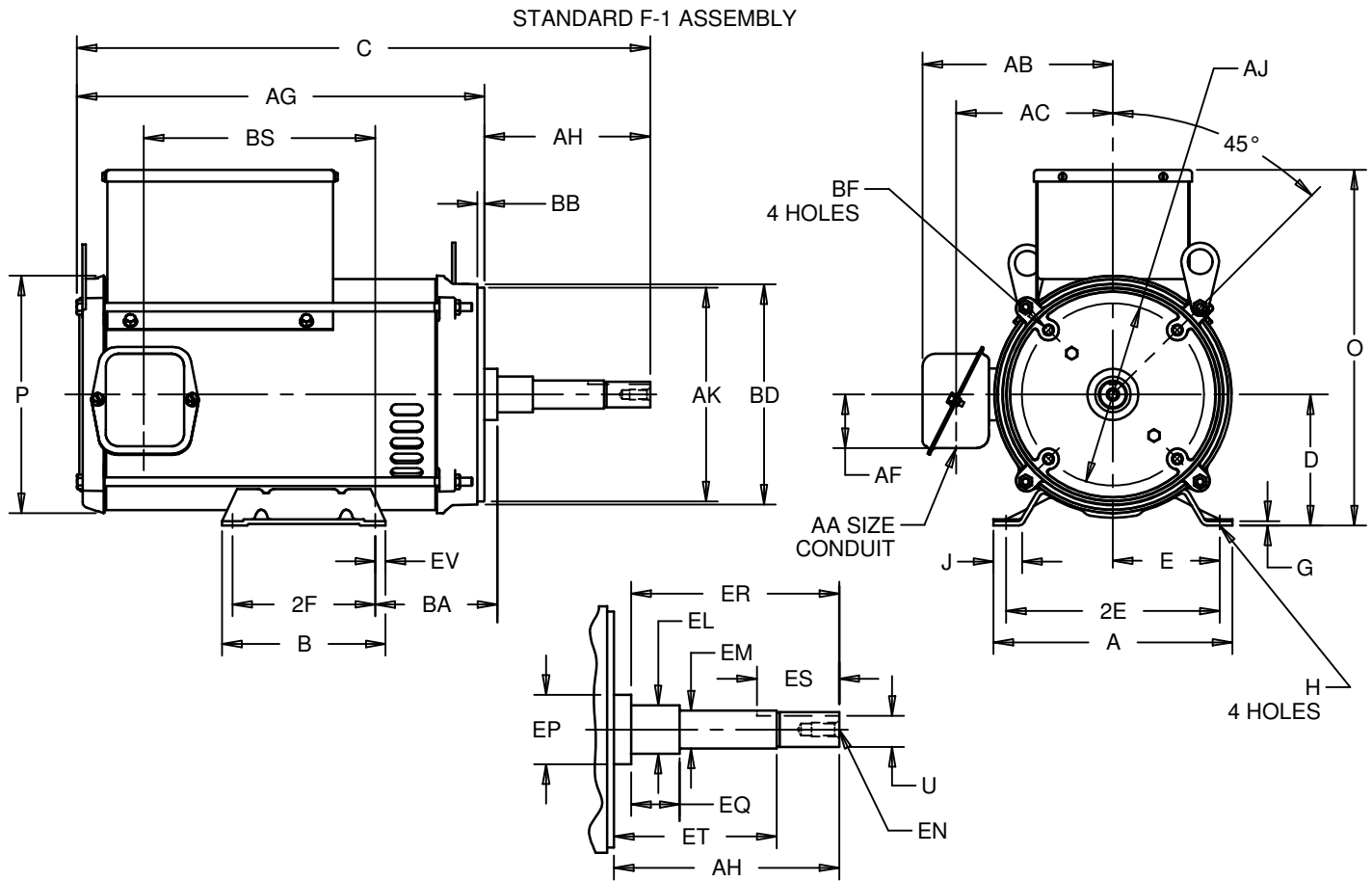
ODP - CLOSE COUPLED PUMP

FRAME: 213-215JP
BASIC TYPE: DM-1

PRINT:
07-2567

SUPERSEDES:
25-FEB-03

SHEET:
1 OF 1



ALL DIMENSIONS ARE IN INCHES AND MILLIMETERS

BASIC SIZE	UNITS	A	D -.06	E	2E ±.03	G	H +.05	J	O	P ²	U -.0005	AA
210	IN	9.50	5.25	4.25	8.50	.19	.41	1.13	14.16	9.44	1.2495	1.00
	MM	241	133	109	216	5	10	29	360	240	31.737	

BASIC SIZE	UNITS	AB	AC	AF	AH ±.031	AJ	AK -.003	BA	BB ±.031	BD MAX	BF ³
210	IN	7.59	6.38	2.13	8.125	7.250	8.500	4.25	.281	9.00	1/2-13 X .75
	MM	193	162	54	206.38	184.15	215.90	108	7.14	229	

BASIC SIZE	UNITS	EL -.002	EM -.0005	EN ³	EP MIN	EQ ±.015	ER MIN	ES MIN	ET ±.015	EV	SQ KEY
210	IN	1.750	1.3750	1/2-13 X 1.00	1.75	2.375	8.13	2.53	5.875	.50	.250
	MM	44.45	34.925		44	60.33	206	64	149.23	13	6.35

SIZE	UNITS	B	C	2F ±.03	AG	BS
213	IN	6.50	24.50	5.50	16.22	9.06
	MM	165	622	140	412	230
215	IN	8.00	26.00	7.00	17.72	10.56
	MM	203	660	178	450	268

- 1: ALL ROUGH DIMENSIONS MAY VARY BY .25" DUE TO CASTING AND/OR FABRICATION VARIATIONS.
- 2: LARGEST MOTOR WIDTH.
- 3: TAP SIZE AND BOLT PENETRATION ALLOWANCE.
- 4: ALL TAPPED HOLES ARE UNIFIED NATIONAL COARSE, RIGHT HAND THREAD.
- 5: CONDUIT BOX MAY BE LOCATED ON EITHER SIDE AND CONDUIT OPENING MAY BE LOCATED IN STEPS OF 90° REGARDLESS OF LOCATION. STANDARD AS SHOWN WITH CONDUIT OPENING DOWN.
- 6: TOLERANCES SHOWN ARE IN INCHES ONLY.
- 7: FRAME REFERENCE: 213/13.500 215/15.000

TOLERANCES	
FACE RUNOUT	.004 T.I.R.
PERMISSIBLE ECCENTRICITY OF MOUNTING RABBET	.004 T.I.R.
PERMISSIBLE SHAFT RUNOUT	.002 T.I.R.

07-2567/A

Nidec Motor Corporation
St. Louis, Missouri

INFORMATION DISCLOSED ON THIS DOCUMENT IS CONSIDERED PROPRIETARY AND SHALL NOT BE REPRODUCED OR DISCLOSED WITHOUT WRITTEN CONSENT OF NIDEC MOTOR CORPORATION



ISSUED BY
A. HINGANKAR
APPROVED BY
R. KING

IHP_DP_NMCA (MAR-2011) SOLIDEDGE