

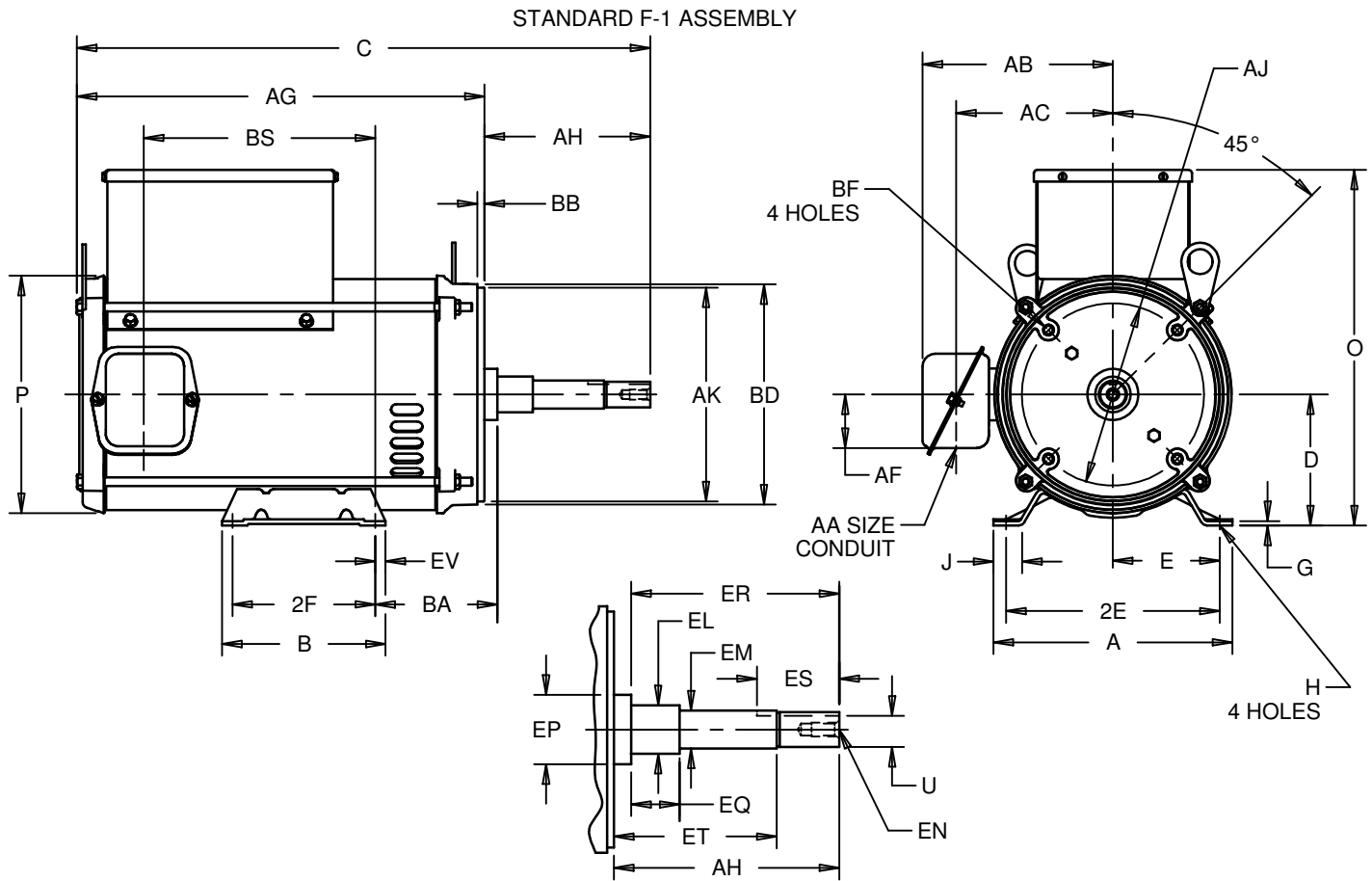
EFFECTIVE:
25-MAY-11

HORIZONTAL MOTORS
ODP - CLOSE COUPLED PUMP
FRAME: 213-215JM
BASIC TYPE: DM-4

PRINT:
07-2568

SUPERSEDES:
25-FEB-03

SHEET:
1 OF 1



ALL DIMENSIONS ARE IN INCHES AND MILLIMETERS

BASIC SIZE	UNITS	A	D -.06	E	2E ±.03	G	H +.05	J	O	P ²	U -.0005	AA
210	IN	9.50	5.25	4.25	8.50	.19	.41	1.13	14.16	9.44	.8745	1.00
	MM	241	133	109	216	5	10	29	360	240	22.212	

BASIC SIZE	UNITS	AB	AC	AF	AH ±.031	AJ	AK -.003	BA	BB ±.031	BD MAX	BF ³
210	IN	7.59	6.38	2.13	4.250	7.250	8.500	4.25	.281	9.00	1/2-13 X .75
	MM	193	162	54	107.95	184.15	215.90	108	7.14	229	

BASIC SIZE	UNITS	EL -.002	EM -.0005	EN ³	EP MIN	EQ ±.015	ER MIN	ES MIN	ET ±.015	EV	SQ KEY
210	IN	1.250	1.0000	3/8-16 X .75	1.75	.625	4.25	1.65	2.875	.50	.188
	MM	31.75	25.400		44	15.88	108	58	73.03	13	4.78

SIZE	UNITS	B	C	2F ±.03	AG	BS
213	IN	6.50	20.50	5.50	16.22	9.06
	MM	165	521	140	412	230
215	IN	8.00	22.00	7.00	17.72	10.56
	MM	203	559	178	450	268

- 1: ALL ROUGH DIMENSIONS MAY VARY BY .25" DUE TO CASTING AND/OR FABRICATION VARIATIONS.
- 2: LARGEST MOTOR WIDTH.
- 3: TAP SIZE AND BOLT PENETRATION ALLOWANCE.
- 4: ALL TAPPED HOLES ARE UNIFIED NATIONAL COARSE, RIGHT HAND THREAD.
- 5: CONDUIT BOX MAY BE LOCATED ON EITHER SIDE AND CONDUIT OPENING MAY BE LOCATED IN STEPS OF 90° REGARDLESS OF LOCATION. STANDARD AS SHOWN WITH CONDUIT OPENING DOWN.
- 6: TOLERANCES SHOWN ARE IN INCHES ONLY.
- 7: FRAME REFERENCE: 213/13.500 215/15.000

TOLERANCES	
FACE RUNOUT	.004 T.I.R.
PERMISSIBLE ECCENTRICITY OF MOUNTING RABBET	.004 T.I.R.
PERMISSIBLE SHAFT RUNOUT	.002 T.I.R.

07-2568/A

Nidec Motor Corporation
St. Louis, Missouri

INFORMATION DISCLOSED ON THIS DOCUMENT IS CONSIDERED PROPRIETARY AND SHALL NOT BE REPRODUCED OR DISCLOSED WITHOUT WRITTEN CONSENT OF NIDEC MOTOR CORPORATION



ISSUED BY
A. HINGANKAR
APPROVED BY
R. KING

IHP_DP_NMCA (MAR-2011) SOLIDEDGE