

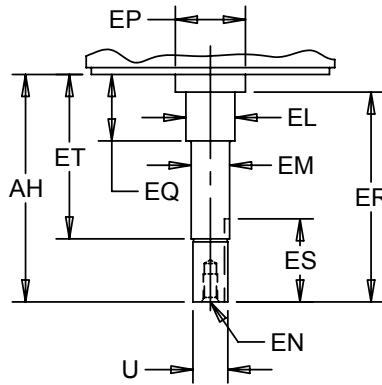
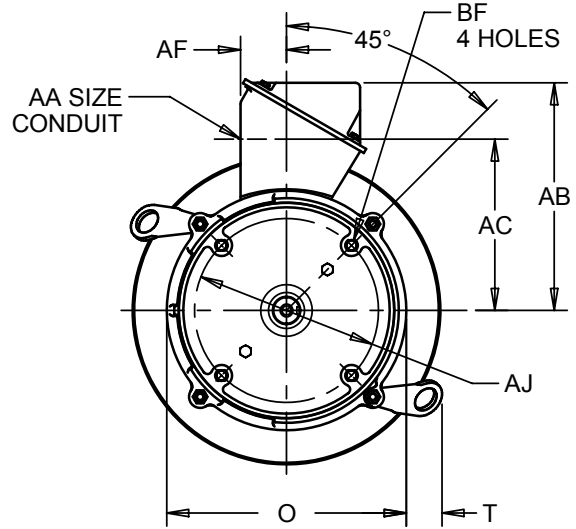
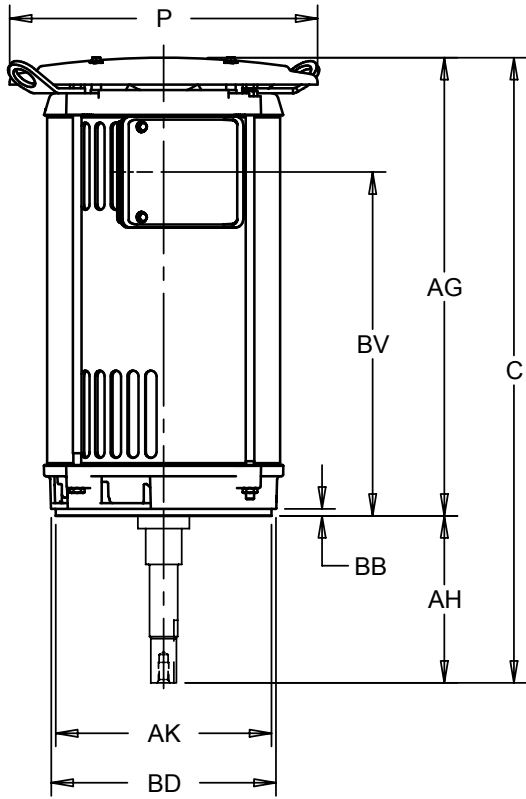
EFFECTIVE:
24-MAR-11

SUPERSEDES:
07-MAR-03

HORIZONTAL MOTORS
ODP - CLOSE COUPLED PUMP (VERTICAL MOUNTING)
FRAME: A254JPV
BASIC TYPE: DF-1

PRINT:
07-2571

SHEET:
1 OF 1



ALL DIMENSIONS ARE IN INCHES AND MILLIMETERS

UNITS	C	O	P ²	T	U -.0005	AA	AB	AC	AF	AG	AH ±.031	AJ
IN	25.00	9.44	12.13	1.50	1.2495	1.25	8.81	6.78	1.81	16.88	8.125	7.250
MM	635	240	308	38	31.737		224	172	46	429	206.38	184.15

UNITS	AK -.003	BB ±.031	BD MAX	BF ³	BV	EL -.002	EM -.0005	EN ³	EP MIN	EQ ±.015
IN	8.500	.281	10.00	1/2-13 X .75	13.94	1.750	1.3750	1/2-13 X 1.00	1.75	2.375
MM	215.90	7.14	254		354	44.45	34.925		44	60.33

UNITS	ER MIN	ES MIN	ET ±.015	SQ KEY
IN	8.13	2.53	5.875	.250
MM	207	64	149.23	6.35

- 1: ALL ROUGH DIMENSIONS MAY VARY BY .25" DUE TO CASTING AND/OR FABRICATION VARIATIONS.
- 2: LARGEST MOTOR WIDTH.
- 3: TAP SIZE AND BOLT PENETRATION ALLOWANCE.
- 4: ALL TAPPED HOLES ARE UNIFIED NATIONAL COARSE, RIGHT HAND THREAD.
- 5: CONDUIT BOX MAY BE LOCATED ON EITHER SIDE AND CONDUIT OPENING MAY BE LOCATED IN STEPS OF 180° REGARDLESS OF LOCATION.
- 6: TOLERANCES SHOWN ARE IN INCHES ONLY.
- 7: FRAME REFERENCE: 254/14.024

TOLERANCES	
FACE RUNOUT	.004 T.I.R.
PERMISSIBLE ECCENTRICITY OF MOUNTING RABBET	.004 T.I.R.
PERMISSIBLE SHAFT RUNOUT	.002 T.I.R.

07-2571/C

Nidec Motor Corporation
St. Louis, Missouri

INFORMATION DISCLOSED ON THIS DOCUMENT IS CONSIDERED PROPRIETARY AND SHALL NOT BE REPRODUCED OR DISCLOSED WITHOUT WRITTEN CONSENT OF NIDEC MOTOR CORPORATION



ISSUED BY
P. INGALE

APPROVED BY
R. KING

IHP_DP_NMCA (MAR-2011) SOLIDEDGE