

EFFECTIVE:
17-AUG-12

SUPERSEDES:
26-MAY-11

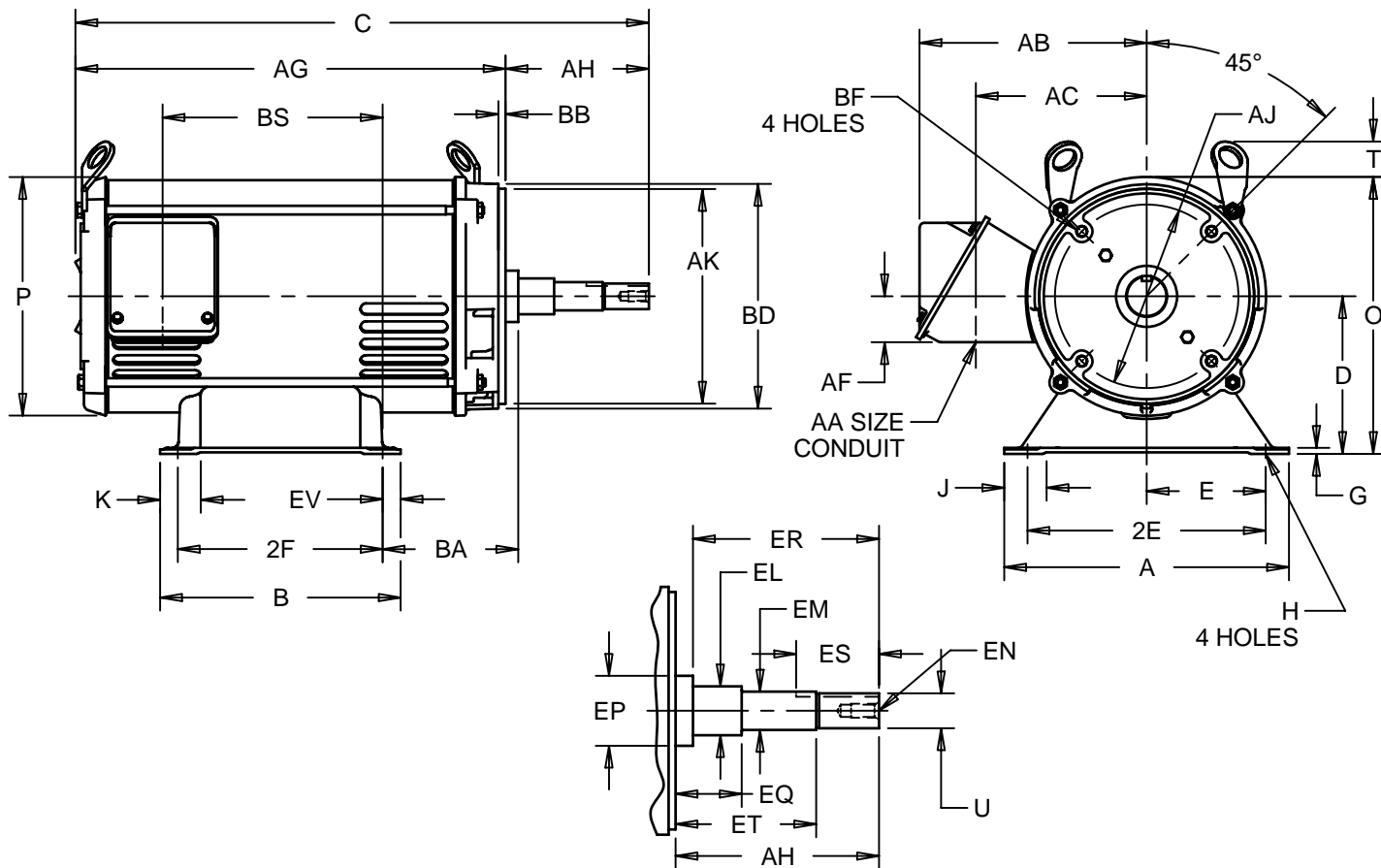
HORIZONTAL MOTORS

ODP - CLOSE COUPLED PUMP
FRAME: A254JP
BASIC TYPE: D1

PRINT:
07-2574

SHEET:
1 OF 1

STANDARD F-1 ASSEMBLY



ALL DIMENSIONS ARE IN INCHES AND MILLIMETERS

UNITS	A	B	C	D -.06	E	2E ±.03	2F ±.03	G	H +.05	J	K	O	P ²	T
IN	11.25	9.50	27.31	6.25	5.00	10.00	8.25	.19	.53	1.44	1.38	11.00	9.44	1.19
MM	286	241	694	159	127	254	210	5	13	37	35	279	240	30

UNITS	U -.0005	AA	AB	AC	AF	AG	AH ±.031	AJ	AK -.003	BA	BB ±.031	BD MAX	BF ³
IN	1.2495	1.25	9.19	6.78	1.81	16.88	8.125	7.250	8.500	4.75	.281	10.00	1/2-13 X .75
MM	31.737		233	172	46	429	206.38	184.15	215.90	121	7.14	254	

UNITS	BS	EL -.002	EM -.0005	EN ³	EP MIN	EQ ±.015	ER MIN	ES MIN	ET ±.015	EV	SQ KEY
IN	6.88	1.750	1.3750	1/2-13 X 1.00	1.75	2.375	8.13	2.53	5.875	.63	.250
MM	175	44.45	34.925		44	60.33	206	64	149.23	16	6.53

- 1: ALL ROUGH DIMENSIONS MAY VARY BY .25" DUE TO CASTING AND/OR FABRICATION VARIATIONS.
- 2: LARGEST MOTOR WIDTH.
- 3: TAP SIZE AND BOLT PENETRATION ALLOWANCE.
- 4: ALL TAPPED HOLES ARE UNIFIED NATIONAL COARSE, RIGHT HAND THREAD.
- 5: CONDUIT BOX MAY BE LOCATED ON EITHER SIDE AND CONDUIT OPENING MAY BE LOCATED IN STEPS OF 90° REGARDLESS OF LOCATION. STANDARD AS SHOWN WITH CONDUIT OPENING DOWN.
- 6: TOLERANCES SHOWN ARE IN INCHES ONLY.
- 7: FRAME REFERENCE: A254/14.024

TOLERANCES	
FACE RUNOUT	.004 T.I.R.
PERMISSIBLE ECCENTRICITY OF MOUNTING RABBET	.004 T.I.R.
PERMISSIBLE SHAFT RUNOUT	.002 T.I.R.

07-2574/B

Nidec Motor Corporation
St. Louis, Missouri

INFORMATION DISCLOSED ON THIS DOCUMENT IS CONSIDERED PROPRIETARY AND SHALL NOT BE REPRODUCED OR DISCLOSED WITHOUT WRITTEN CONSENT OF NIDEC MOTOR CORPORATION



ISSUED BY
R. KING
APPROVED BY
J. O'BRIEN

IHP_DP_NMCA (MAR-2011) SOLIDEDGE