

EFFECTIVE:
25-MAY-11

HORIZONTAL MOTORS

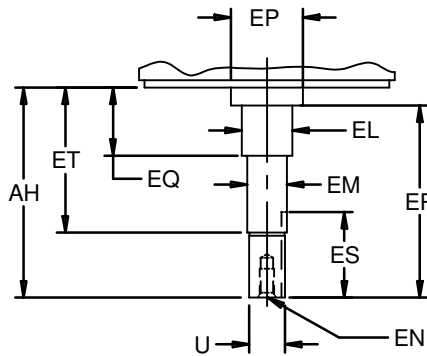
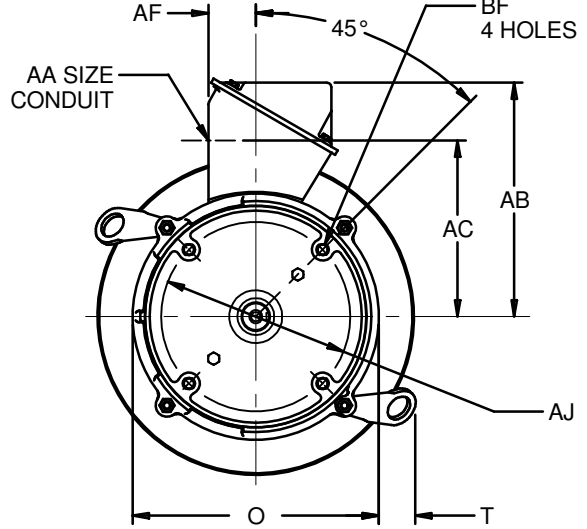
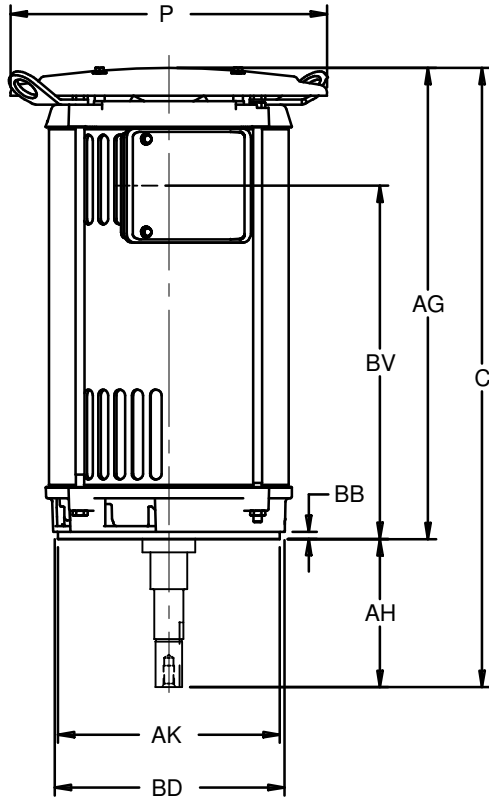
ODP-CLOSE COUPLED PUMP (VERTICAL MOUNTING)

PRINT:
07-2576

SUPERSEDES:
07-MAR-03

FRAME: A254JMV
BASIC TYPE: DF-4

SHEET:
1 OF 1



ALL DIMENSIONS ARE IN INCHES AND MILLIMETERS

UNITS	C	O	P ²	T	U -.0005	AA	AB	AC	AF	AG	AH ±.031	AJ
IN	22.13	9.44	12.13	1.50	1.2495	1.25	8.81	6.78	1.81	16.88	5.250	7.250
MM	562	240	308	38	31.737		224	172	46	429	133.35	184.15

UNITS	AK -.003	BB ±.031	BD MAX	BF ³	BV	EL -.002	EM -.0005	EN ³	EP MIN	EQ ±.015
IN	8.500	.281	10.00	1/2-13 X .75	13.94	1.750	1.3750	1/2-13 X 1.00	1.75	.625
MM	215.90	7.14	254		354	44.45	34.925		44	15.88

UNITS	ER MIN	ES MIN	ET ±.015	SQ KEY
IN	5.13	2.53	3.000	.250
MM	130	64	76.20	6.35

- 1: ALL ROUGH DIMENSIONS MAY VARY BY .25" DUE TO CASTING AND/OR FABRICATION VARIATIONS.
- 2: LARGEST MOTOR WIDTH.
- 3: TAP SIZE AND BOLT PENETRATION ALLOWANCE.
- 4: ALL TAPPED HOLES ARE UNIFIED NATIONAL COARSE, RIGHT HAND THREAD.
- 5: CONDUIT BOX MAY BE LOCATED ON EITHER SIDE AND CONDUIT OPENING MAY BE LOCATED IN STEPS OF 180 DEGREES REGARDLESS OF LOCATION.
- 6: TOLERANCES SHOWN ARE IN INCHES ONLY.
- 7: FRAME REFERENCE: 254/14.024

TOLERANCES	
FACE RUNOUT	.004 T.I.R.
PERMISSIBLE ECCENTRICITY OF MOUNTING RABBET	.004 T.I.R.
PERMISSIBLE SHAFT RUNOUT	.002 T.I.R.

07-2576/A

Nidec Motor Corporation
St. Louis, Missouri

INFORMATION DISCLOSED ON THIS DOCUMENT
IS CONSIDERED PROPRIETARY AND SHALL NOT BE
REPRODUCED OR DISCLOSED WITHOUT WRITTEN
CONSENT OF NIDEC MOTOR CORPORATION



ISSUED BY
V. PAWAR
APPROVED BY
R. KING

IHP_DP_NMCA (MAR-2011) SOLIDEDGE