

EFFECTIVE:  
**26-MAY-11**

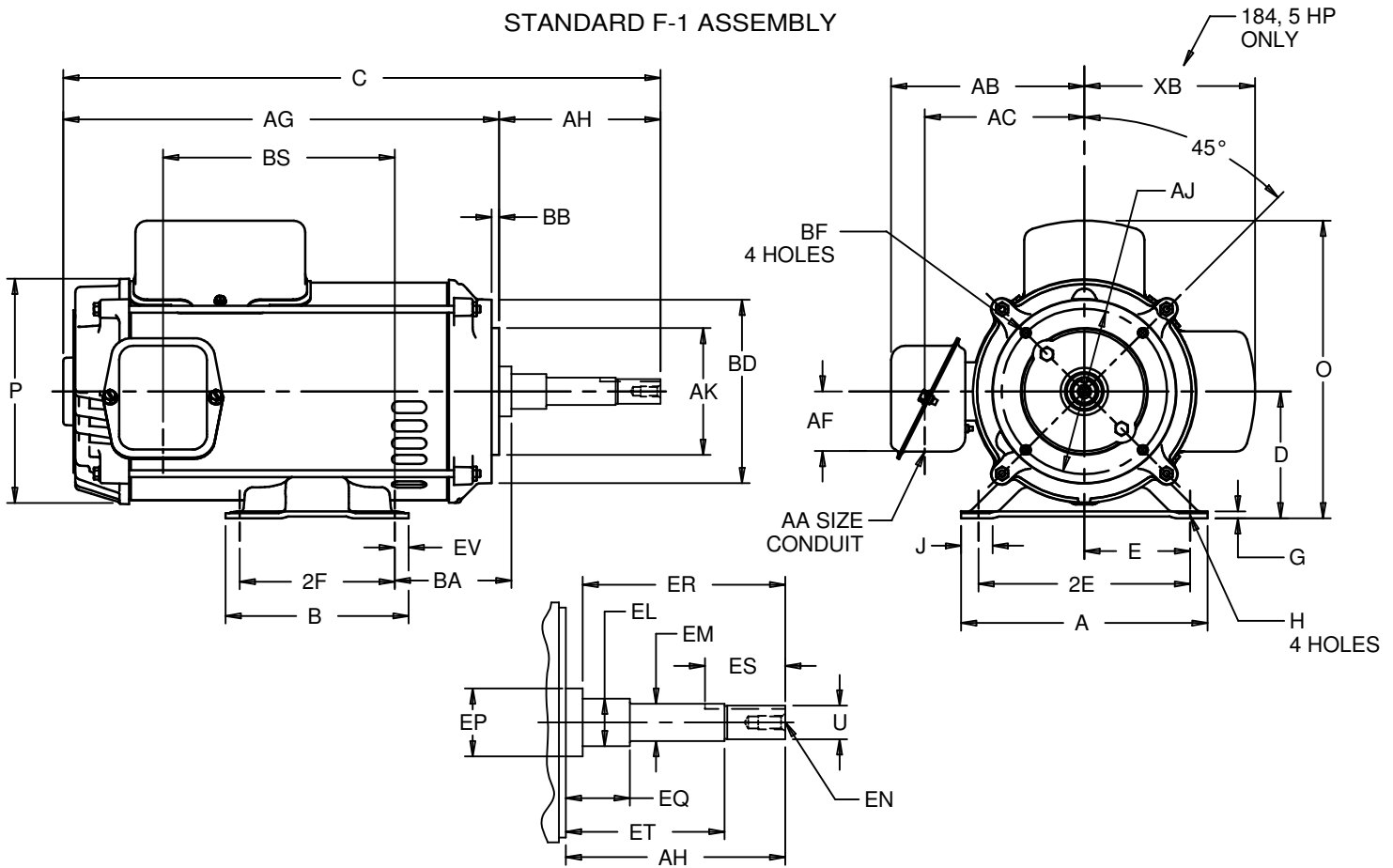
**HORIZONTAL MOTORS**  
ODP - CLOSE COUPLED PUMP  
FRAME: 182, 184JP  
BASIC TYPE: DM-1

PRINT:  
**07-2578**

SUPERSEDES:  
**03-APR-03**

SHEET:  
**1 OF 1**

STANDARD F-1 ASSEMBLY



ALL DIMENSIONS ARE IN INCHES AND MILLIMETERS

BASIC SIZE	UNITS	A	B	C	D -.06	E	2E ±.03	G	H +.05	J	O	P <sup>2</sup>	U -.0005	AA
180	IN	8.75	6.50	22.69	4.50	3.75	7.50	.19	.44	1.00	10.53	7.75	.8745	1.12
	MM	222	165	576	114	95	191	5	11	25	267	197	22.212	

BASIC SIZE	UNITS	AB	AC	AF	AG	AH ±.031	AJ	AK -.003	BA	BB ±.031	BD MAX	BF <sup>3</sup>	BS
180	IN	6.83	5.63	2.13	15.31	4.250	5.875	4.500	3.50	.156	6.50	3/8-16 X .63	8.22
	MM	173	143	54	389	107.95	149.23	114.30	89	3.96	165		209

BASIC SIZE	UNITS	EL -.002	EM -.0005	EN <sup>3</sup>	EP MIN	EQ ±.015	ER MIN	ES MIN	ET ±.015	EV	XB	SQ KEY
180	IN	1.250	1.0000	3/8-16 X .75	1.25	1.562	7.31	1.66	5.938	.50	6.03	.188
	MM	31.75	25.400		32	39.67	186	42	150.82	13	153	4.78

SIZE	UNITS	2F ±.03
182	IN	4.50
	MM	114
184	IN	5.50
	MM	140

- 1: ALL ROUGH DIMENSIONS MAY VARY BY .25" DUE TO CASTING AND/OR FABRICATION VARIATIONS.
- 2: LARGEST MOTOR WIDTH.
- 3: TAP SIZE AND BOLT PENETRATION ALLOWANCE.
- 4: ALL TAPPED HOLES ARE UNIFIED NATIONAL COARSE, RIGHT HAND THREAD.
- 5: CONDUIT BOX MAY BE LOCATED ON EITHER SIDE AND CONDUIT OPENING MAY BE LOCATED IN STEPS OF 90° REGARDLESS OF LOCATION. STANDARD AS SHOWN WITH CONDUIT OPENING DOWN.
- 6: TOLERANCES SHOWN ARE IN INCHES ONLY.
- 7: FRAME REFERENCE: 11.625

TOLERANCES	
FACE RUNOUT	.004 T.I.R.
PERMISSIBLE ECCENTRICITY OF MOUNTING RABBET	.004 T.I.R.
PERMISSIBLE SHAFT RUNOUT	.002 T.I.R.

07-2578/A

**Nidec Motor Corporation**  
St. Louis, Missouri

INFORMATION DISCLOSED ON THIS DOCUMENT IS CONSIDERED PROPRIETARY AND SHALL NOT BE REPRODUCED OR DISCLOSED WITHOUT WRITTEN CONSENT OF NIDEC MOTOR CORPORATION



ISSUED BY  
**V. PAWAR**  
APPROVED BY  
**R. KING**

IHP\_DP\_NMCA (MAR-2011) SOLIDEDGE