

EFFECTIVE:  
30-MAY-11

# HORIZONTAL MOTORS

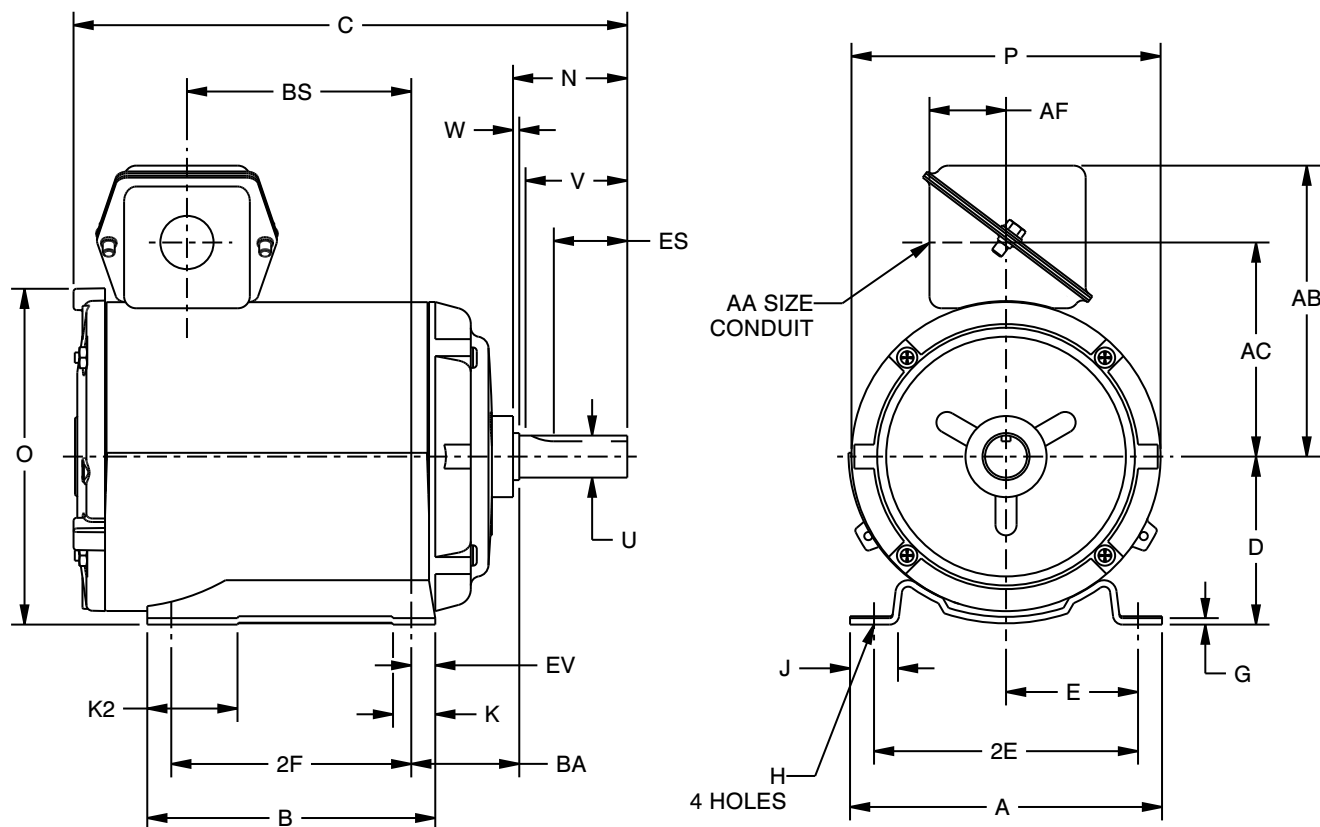
PRINT:  
07-2585

SUPERSEDES:  
30-APR-03

TEAO  
FRAME: 143, 145T  
BASIC TYPE: FSN

SHEET:  
1 OF 1

## F-0 ASSEMBLY



DIMENSIONS ARE IN INCHES AND MILLIMETERS

	A	B	C	D -.06	E	2E ±.03	G	H +.05	J
IN	6.50	6.00	11.56	3.50	2.75	5.50	.13	.34	1.00
MM	165	152	294	89	70	140	3	9	25

	K	K2	N	O	P <sup>2</sup>	U -.0005	V MIN	W	AA
IN	.94	1.88	2.38	7.00	6.44	.8750	2.00	.13	.75
MM	24	48	60	178	164	22.225	51	3	

	AB	AC	AF	BA ±.09	BS	ES MIN	EV	SQ. KEY
IN	6.06	4.44	1.59	2.25	4.69	1.41	.50	.188
MM	154	113	40	57	119	36	13	4.78

	FRAME	2F ±.03
IN	143T	4.00
MM		102
IN	145T	5.00
MM		127

- 1: ALL ROUGH DIMENSIONS MAY VARY .25" DUE TO CASTING AND/OR FABRICATION VARIATIONS.
- 2: LARGEST MOTOR WIDTH
- 3: CONDUIT OPENING MAY BE LOCATED IN STEPS OF 180°. STANDARD AS SHOWN.
- 4: TOLERANCES SHOWN ARE IN INCHES ONLY.
- 5: FRAME REFERENCE: 6.750/143/145

07-2585/A

**Nidec Motor Corporation**  
St. Louis, Missouri

INFORMATION DISCLOSED ON THIS DOCUMENT IS CONSIDERED PROPRIETARY AND SHALL NOT BE REPRODUCED OR DISCLOSED WITHOUT WRITTEN CONSENT OF NIDEC MOTOR CORPORATION



ISSUED BY  
**S. KULKARNI**  
APPROVED BY  
**R. KING**

IHP\_DP\_NMCA (MAR-2011) PROENGINEER