

EFFECTIVE:
27-MAY-11

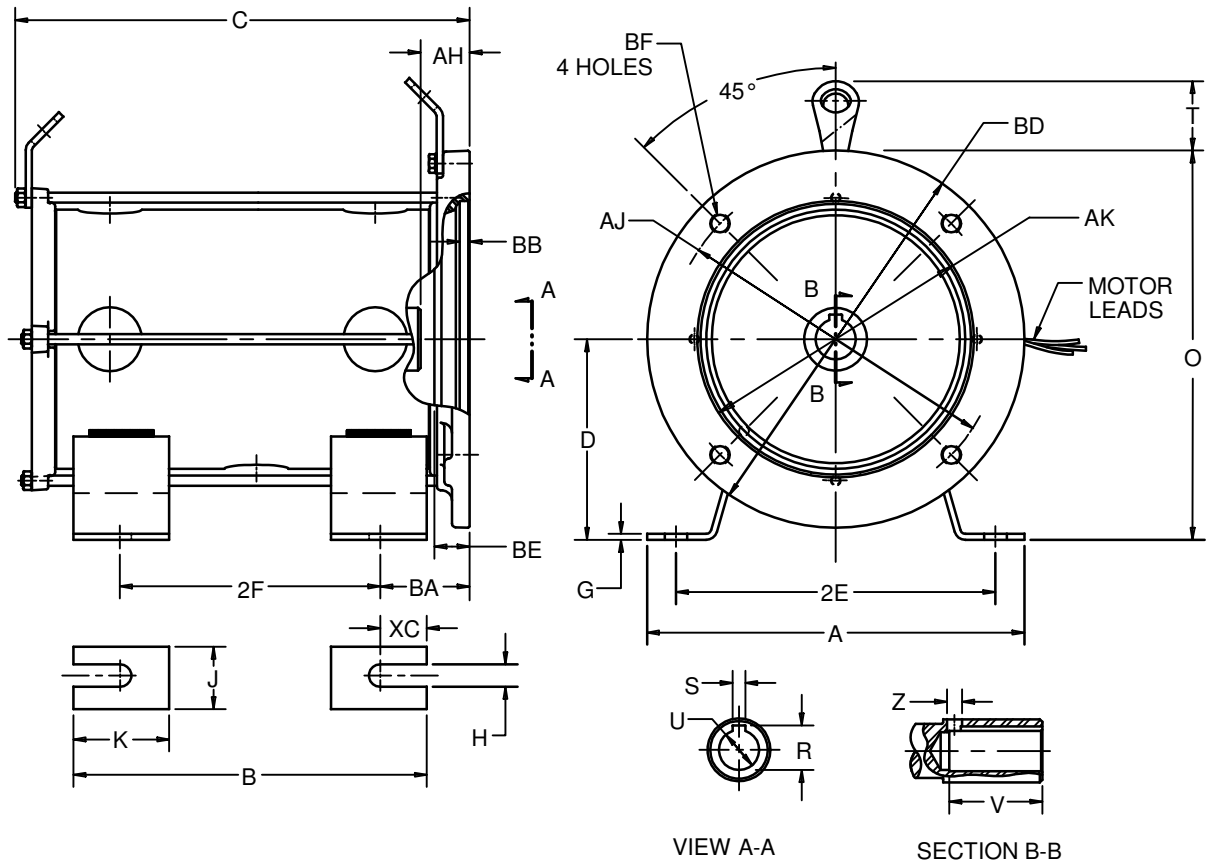
HORIZONTAL MOTORS

PRINT:
07-2612

SUPERSEDES:
28-JUN-04

THREE PHASE
FRAME: 184LDS
BASIC TYPE: IMH

SHEET:
1 OF 1



ENG. REF.
40 HP

MOTOR LEADS

TOTAL LENGTH	BUTT SPLICES	
87"	12"	47"
2210 MM	300 MM	1194 MM
TOLERANCE: ±1" or ±25 MM WHEN MEASURED FROM FACE OF REAR BRACKET(END BELL).		

SHAFT DIMENSIONS

UNITS	R	S	U	UNITS	V	Z
INCHES	1.643	.398	1.498	INCHES	2.441	0.472
	1.626	.395	1.497	TOL.	±.015	±.015
MM	41.73	10.11	38.05	MM	62.00	11.99
	41.30	10.03	38.02	TOL.	±.38	±.38

MOTOR DIMENSIONS

UNITS	A	B	C	D	2E	2F	G	H	J	K	O	T
INCHES	12.80	13.83	18.53	7.25	11.00	10.91	0.19	0.71	2.10	3.00	14.14	1.55
TOL.	±.06	±.06	±.12	±.06	±.06	±.06	±.015	±.015	±.06	±.06	±.12	±.12
MM	325	351	471	184	279	277	5	18	53	76	359	39
TOL.	±1.5	±1.5	±3.0	±1.5	±1.5	±1.5	±.38	±.38	±1.5	±1.5	±3.0	±3.0

UNITS	AH	AJ	AK	BA	BB	BD	BE	BF ¹	XC
INCHES	1.875	12.205	10.632	3.47	0.28	13.78	1.776	X	1.46
TOL.	1.836	±.015	10.630	±.06	±.06	±.06	1.772		±.06
MM	47.63	310.01	270.05	88	7	350	45.11	M20-2.5	37
TOL.	46.63	±.38	270.00	±1.5	±1.5	±1.5	45.01	THRU	±1.5

1. TAP SIZE & BOLT PENETRATION ALLOWANCE

