

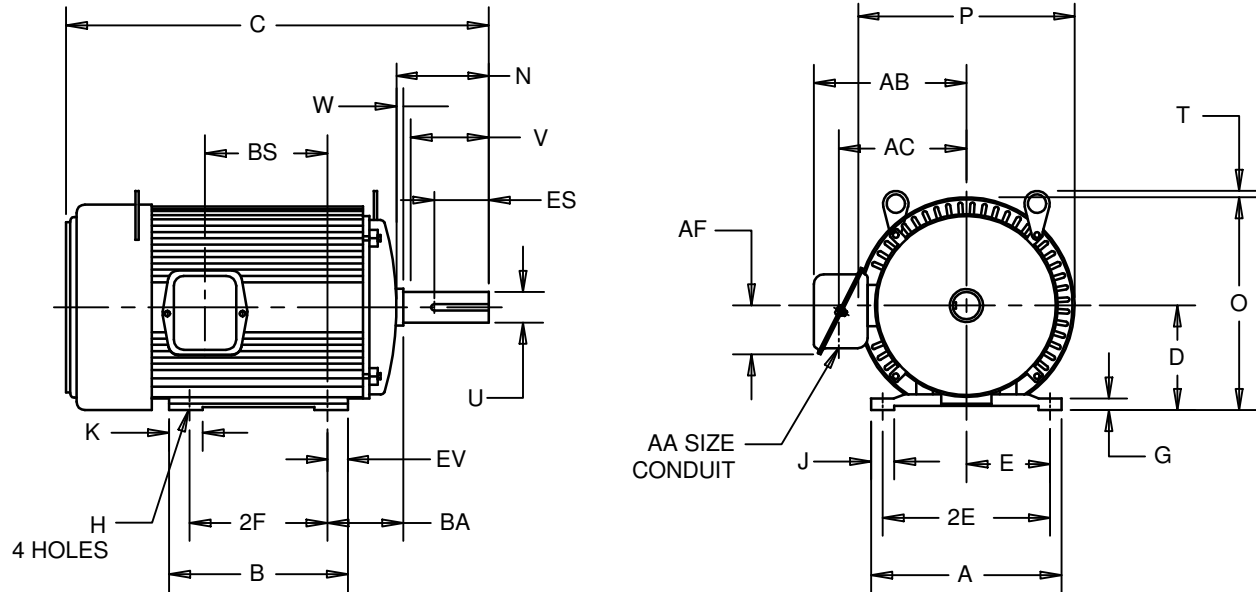
EFFECTIVE:
27-MAY-11

SUPERSEDES:
09-JUL-04

HORIZONTAL MOTORS
UNIMOUNT MOTORS
FRAME: B215T
BASIC TYPE: UT, UTE, FUT

PRINT:
07-2613

SHEET:
1 OF 1



ALL DIMENSIONS ARE IN INCHES AND MILLIMETERS

UNITS	A	B	C	D	E	2E	2F	G	H
IN	9.50	8.88	21.63	5.25	4.25	8.50	7.00	.63	.44
MM	241	226	549	133	108	216	178	16	11

UNITS	J	K	N	O	P ²	T	U	V	W
IN	1.19	1.56	3.50	10.25	11.25	.38	1.3750	3.13	.13
MM	30	40	89	260	286	10	34.925	80	3

UNITS	AA	AB	AC	AF	BA	BS	ES	EV	SQ KEY
IN		8.25	6.38	2.13	3.50	8.69	2.41	.94	.313
MM	1.00	210	162	54	89	220	61	24	7.95

- 1: ALL ROUGH DIMENSIONS MAY VARY BY .25" DUE TO CASTING AND/OR FABRICATION VARIATIONS.
- 2: LARGEST MOTOR WIDTH.
- 3: CONDUIT BOX MAY BE LOCATED ON EITHER SIDE. CONDUIT OPENINGS MAY BE LOCATED IN STEPS OF 180° REGARDLESS OF LOCATION. STANDARD AS SHOWN WITH CONDUIT OPENING DOWN.
- 4: TOLERANCES SHOWN ARE IN INCHES ONLY.
- 5: FRAME REFERENCE: 12.000/B215

07-2613/A

Nidec Motor Corporation
St. Louis, Missouri

INFORMATION DISCLOSED ON THIS DOCUMENT IS CONSIDERED PROPRIETARY AND SHALL NOT BE REPRODUCED OR DISCLOSED WITHOUT WRITTEN CONSENT OF NIDEC MOTOR CORPORATION



ISSUED BY
A. HINGANKAR
APPROVED BY
R. KING

IHP_DP_NMCA (MAR-2011) SOLIDEDGE