

EFFECTIVE:
26-MAY-11

HORIZONTAL MOTORS

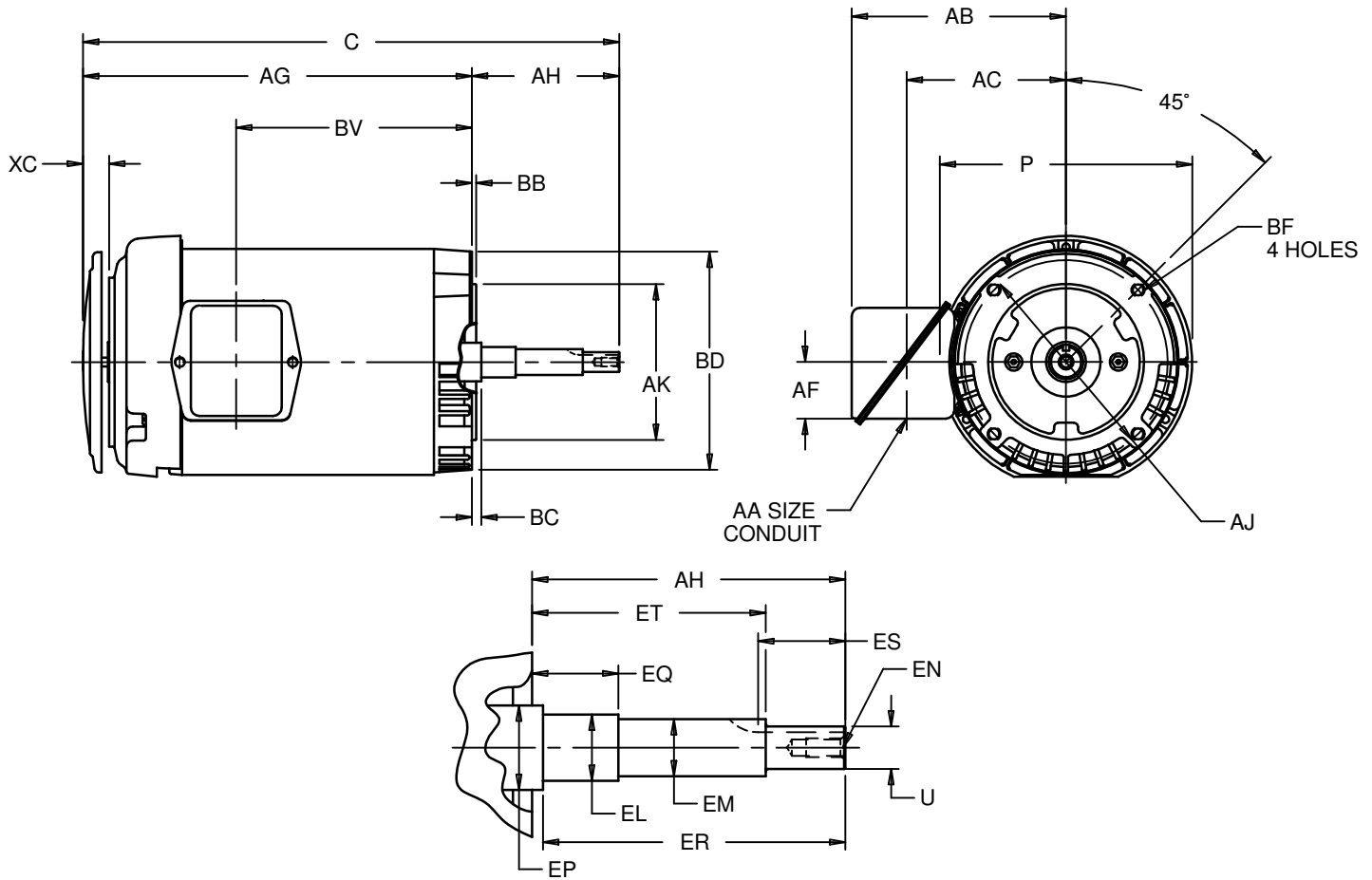
UNIMOUNT - CLOSE COUPLED PUMP

PRINT:
07-2637

SUPERSEDES:
28-APR-05

FRAME: 140JM
BASIC TYPE: UTF4

SHEET:
1 OF 1



ALL DIMENSIONS ARE IN INCHES AND MILLIMETERS

UNITS	C	P ²	U -.0005	AA	AB	AC	AF	AG	AH ±.031	AJ
IN	16.19	7.25	.8745	.75	6.13	4.50	1.59	11.94	4.250	5.875
MM	411	184	22.212		156	114	40	303	107.95	149.23
UNITS	AK -.003	BB -.03	BC	BD MAX	BF ⁴	BV	EL -.002	EM -.0005		
IN	4.500	.16	.13	6.50	3/8-16 X .56	7.13	1.156	1.0000		
MM	114.30	4	3	165		181	29.36	25.400		
UNITS	EN ⁴	EP MIN	EQ ±.015	ER MIN	ES MIN	ET ±.015	XC	SQ KEY		
IN	3/8-16 X .75	1.16	.625	4.25	1.65	2.875	1.06	.188		
MM		30	15.88	108	42	73.03	27	4.78		

- 1: ALL ROUGH DIMENSIONS MAY VARY BY .25" DUE TO CASTING AND/OR FABRICATION VARIATIONS.
- 2: LARGEST MOTOR WIDTH.
- 3: CONDUIT BOX MAY BE LOCATED ON EITHER SIDE. CONDUIT OPENINGS MAY BE LOCATED IN STEPS OF 180° REGARDLESS OF LOCATION. STANDARD AS SHOWN WITH CONDUIT OPENING DOWN.
- 4: TAP SIZE AND BOLT PENETRATION ALLOWANCE.
- 5: ALL TAPPED HOLES ARE UNIFIED NATIONAL COARSE, RIGHT HAND THREAD.
- 6: TOLERANCES SHOWN ARE IN INCHES ONLY.
- 7: FRAME REFERENCE: 7.750"/140

TOLERANCES	
FACE RUNOUT	.004 T.I.R.
PERMISSIBLE ECCENTRICITY OF MOUNTING RABBET	.004 T.I.R.
PERMISSIBLE SHAFT RUNOUT	.002 T.I.R.

07-2637/A

Nidec Motor Corporation
St. Louis, Missouri

INFORMATION DISCLOSED ON THIS DOCUMENT IS CONSIDERED PROPRIETARY AND SHALL NOT BE REPRODUCED OR DISCLOSED WITHOUT WRITTEN CONSENT OF NIDEC MOTOR CORPORATION



ISSUED BY
D. MISAL
APPROVED BY
R. KING

IHP_DP_NMCA (MAR-2011) SOLIDEDGE