

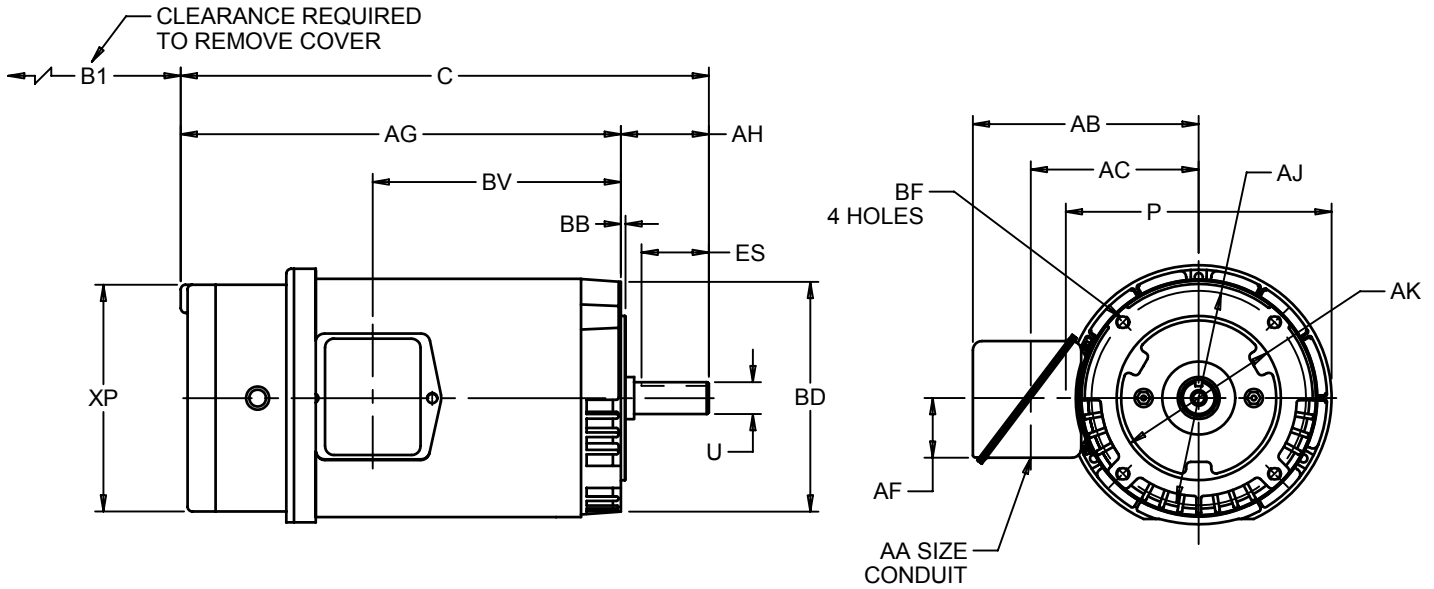
EFFECTIVE:
26-MAY-11

SUPERSEDES:
11-DEC-06

HORIZONTAL MOTORS
TEFC- WITH STEARNS BRAKE
FRAME: 56C
BASIC TYPE: UTF

PRINT:
07-2666

SHEET:
1 OF 1



ALL DIMENSIONS ARE IN INCHES AND MILLIMETERS

UNITS	P ²	U -.0005	AA	AB	AC	AF	AH	AJ	AK -.003	BB	BD MAX
IN	7.28	.6250	.75	6.09	4.50	1.59	2.06	5.875	4.500	.16	6.50
MM	185	15.875		155	114	40	52	149.23	114.30	4	165

UNITS	BF ³	B1	ES MIN	XP	SQ KEY
IN		2.94	1.41	6.53	.188
MM	3/8-16 X .75	75	36	166	4.78

FRAME	UNITS	C	AG	BV
56C	IN	15.63	13.56	4.88
(5.5")	MM	397	344	124
56C	IN	16.88	14.81	6.19
(6.75")	MM	429	376	157

NOTE:
THIS PRINT IS GOOD FOR MOTORS WITH STEARNS BRAKE 56,3XX SERIES, (OPEN) ENCLOSURE RANGING FROM 1.5 THRU 15 LB. FT.

- 1: ALL ROUGH DIMENSIONS MAY VARY BY .25" DUE TO CASTING AND/OR FABRICATION VARIATIONS.
- 2: LARGEST MOTOR WIDTH.
- 3: TAP SIZE AND BOLT PENETRATION ALLOWANCE.
- 4: ALL TAPPED HOLES ARE UNIFIED NATIONAL COARSE, RIGHT HAND THREAD.
- 5: CONDUIT BOX MAY BE LOCATED ON EITHER SIDE OF MOTOR. CONDUIT OPENINGS MAY BE LOCATED IN STEPS OF 180° REGARDLESS OF LOCATION. STANDARD AS SHOWN WITH CONDUIT OPENING DOWN
- 6: TOLERANCES SHOWN ARE IN INCHES ONLY.
- 7: FRAME REFERENCE: 5.500/56.

07-2666/A

Nidec Motor Corporation
St. Louis, Missouri

INFORMATION DISCLOSED ON THIS DOCUMENT IS CONSIDERED PROPRIETARY AND SHALL NOT BE REPRODUCED OR DISCLOSED WITHOUT WRITTEN CONSENT OF NIDEC MOTOR CORPORATION



ISSUED BY
M. CHAUDHARI
APPROVED BY
R. KING

IHP_DP_NMCA (MAR-2011) SOLIDEDGE