

EFFECTIVE:
30-MAY-11

HORIZONTAL MOTORS

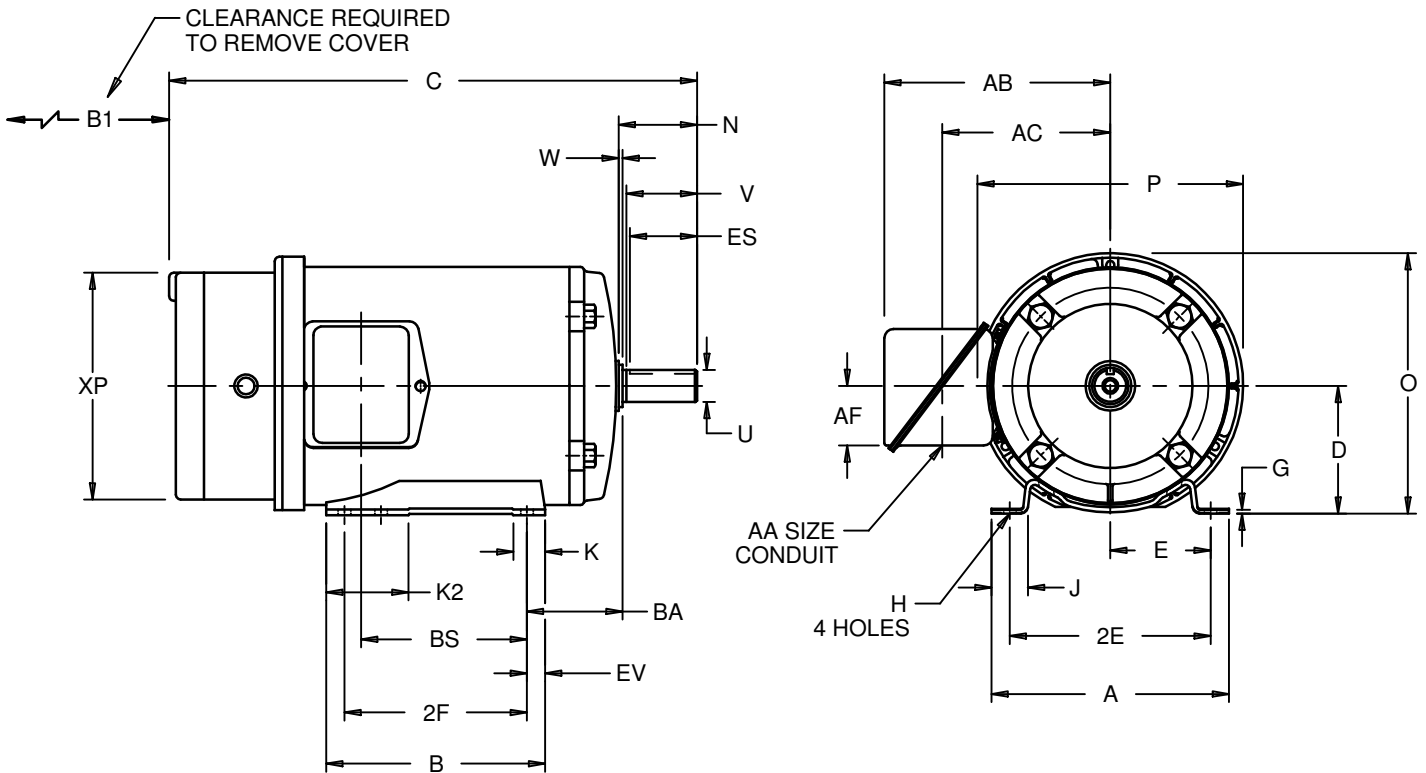
TEFC - WITH STEARNS BRAKE

PRINT:
07-2667

SUPERSEDES:
11-DEC-06

FRAME: 140T
BASIC TYPE: UT

SHEET:
1 OF 1



ALL DIMENSIONS ARE IN INCHES AND MILLIMETERS

UNITS	A	B	D -.06	E	2F ±.03	G	H +.05	J	K	K2	N	O	P ²
IN	6.50	6.00	3.50	2.75	5.50	.13	.34	.88	.88	1.88	2.30	7.16	7.28
MM	165	152	89	70	140	3	9	22	22	48	58	182	185

UNITS	U -.0005	V MIN	W	AA	AB	AC	AF	BA	BS	B1	ES MIN	EV	SQ KEY	XP
IN	.8750	2.00	.05	.75	6.09	4.50	1.59	2.25	3.78	2.94	1.53	.50	.188	6.53
MM	22.225	51	1		155	114	40	57	96	75	39	13	4.78	166

FRAME	UNITS	C	2E ±.03
143T (6.75")	IN	17.56	4.00
	MM	446	102
145T (6.75")	IN	17.56	5.00
	MM	446	127
145T (7.75")	IN	18.56	5.00
	MM	471	127

NOTE:
THIS PRINT IS GOOD FOR MOTORS WITH STEARNS BRAKE 56.3XX SERIES, (OPEN) ENCLOSURE RANGING FROM 1.5 THRU 15 LB. FT.

1: ALL ROUGH CASTING DIMENSIONS MAY VARY BY .25" DUE TO CASTING AND/OR FABRICATION VARIATIONS.
2: LARGEST MOTOR WIDTH.
3: TOLERANCES SHOWN ARE IN INCHES ONLY.

4: STANDARD ASSEMBLY POSITION F-1 IS SHOWN. F-2 IS PROVIDED WHEN SPECIFIED. CONDUIT OPENINGS MAY BE LOCATED IN STEPS OF 90° REGARDLESS OF LOCATION. STANDARD AS SHOWN WITH CONDUIT OPENING DOWN.

07-2667/A

Nidec Motor Corporation
St. Louis, Missouri

INFORMATION DISCLOSED ON THIS DOCUMENT IS CONSIDERED PROPRIETARY AND SHALL NOT BE REPRODUCED OR DISCLOSED WITHOUT WRITTEN CONSENT OF NIDEC MOTOR CORPORATION



ISSUED BY
D. MISAL
APPROVED BY
R. KING

IHP_DP_NMCA (MAR-2011) SOLIDEDGE