

EFFECTIVE:  
**03-FEB-14**

# DIMENSION PRINT

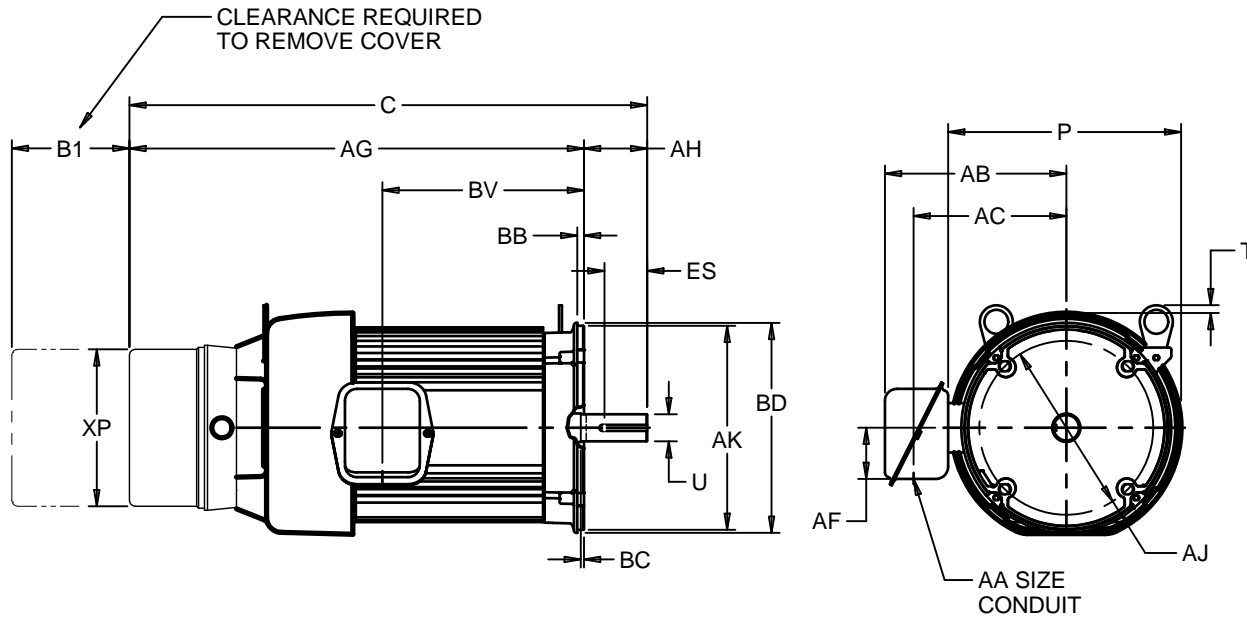
## TEFC-FOOTLESS WITH "C" FACE AND STEARNS BRAKE

PRINT:  
**07-2669**

SUPERSEDES:  
**26-MAY-11**

FRAME: 182-184TC  
BASIC TYPE: UTF

SHEET:  
**1 OF 1**



ALL DIMENSIONS ARE IN INCHES AND MILLIMETERS

UNITS	P <sup>2</sup>	T	U	AA	AB	AC	AF	AH	AJ	AK
IN	9.68	.31	1.1250	.75	7.56	6.38	2.13	2.63	7.250	8.500
MM	246	8	28.575		192	160	54	67	184.15	215.90

UNITS	B1	BB MIN	BC	BD MAX	BF <sup>3</sup>	ES MIN	XP	SQ KEY
IN	2.94	.25	.13	8.75	1/2-13 X .75	1.78	6.53	.250
MM	75	6	3	222		45	166	6.35

FRAME	UNITS	C	AG	BV
182TC	IN	21.56	18.94	8.41
	MM	548	481	214
184TC	IN	22.31	19.69	9.16
	MM	567	500	233

NOTE:  
THIS PRINT IS GOOD FOR MOTORS WITH STEARNS  
BRAKE 56,3XX SERIES, ENCLOSURE  
RANGING FROM 1.5 THRU 15 LB. FT.

- 1: ALL ROUGH DIMENSIONS MAY VARY BY .25" DUE TO CASTING AND/OR FABRICATION VARIATIONS.
- 2: LARGEST MOTOR WIDTH.
- 3: CONDUIT BOX MAY BE LOCATED ON EITHER SIDE. CONDUIT OPENINGS MAY BE LOCATED IN STEPS OF 90 DEGREES REGARDLESS OF LOCATION. STANDARD AS SHOWN WITH CONDUIT OPENING DOWN.
- 4: TAP SIZE AND BOLT PENETRATION ALLOWANCE.
- 5: ALL TAPPED HOLES ARE UNIFIED NATIONAL COARSE, RIGHT HAND THREAD.
- 6: TOLERANCES SHOWN ARE IN INCHES ONLY.
- 7: FRAME REFERENCE: 8.250/182//9.000/184

TOLERANCES	
FACE RUNOUT	.004 T.I.R.
PERMISSIBLE ECCENTRICITY OF MOUNTING RABBET	.004 T.I.R.
PERMISSIBLE SHAFT RUNOUT	.002 T.I.R.

07-2669/B

**Nidec Motor Corporation**  
St. Louis, Missouri

INFORMATION DISCLOSED ON THIS DOCUMENT  
IS CONSIDERED PROPRIETARY AND SHALL NOT BE  
REPRODUCED OR DISCLOSED WITHOUT WRITTEN  
CONSENT OF NIDEC MOTOR CORPORATION



ISSUED BY  
**R. KING**  
APPROVED BY  
**J. O'BRIEN**

IHP\_DP\_NMCA (MAR-2011) SOLIDEDGE