

EFFECTIVE:
21-MAR-12

SUPERSEDES:
15-JUL-08

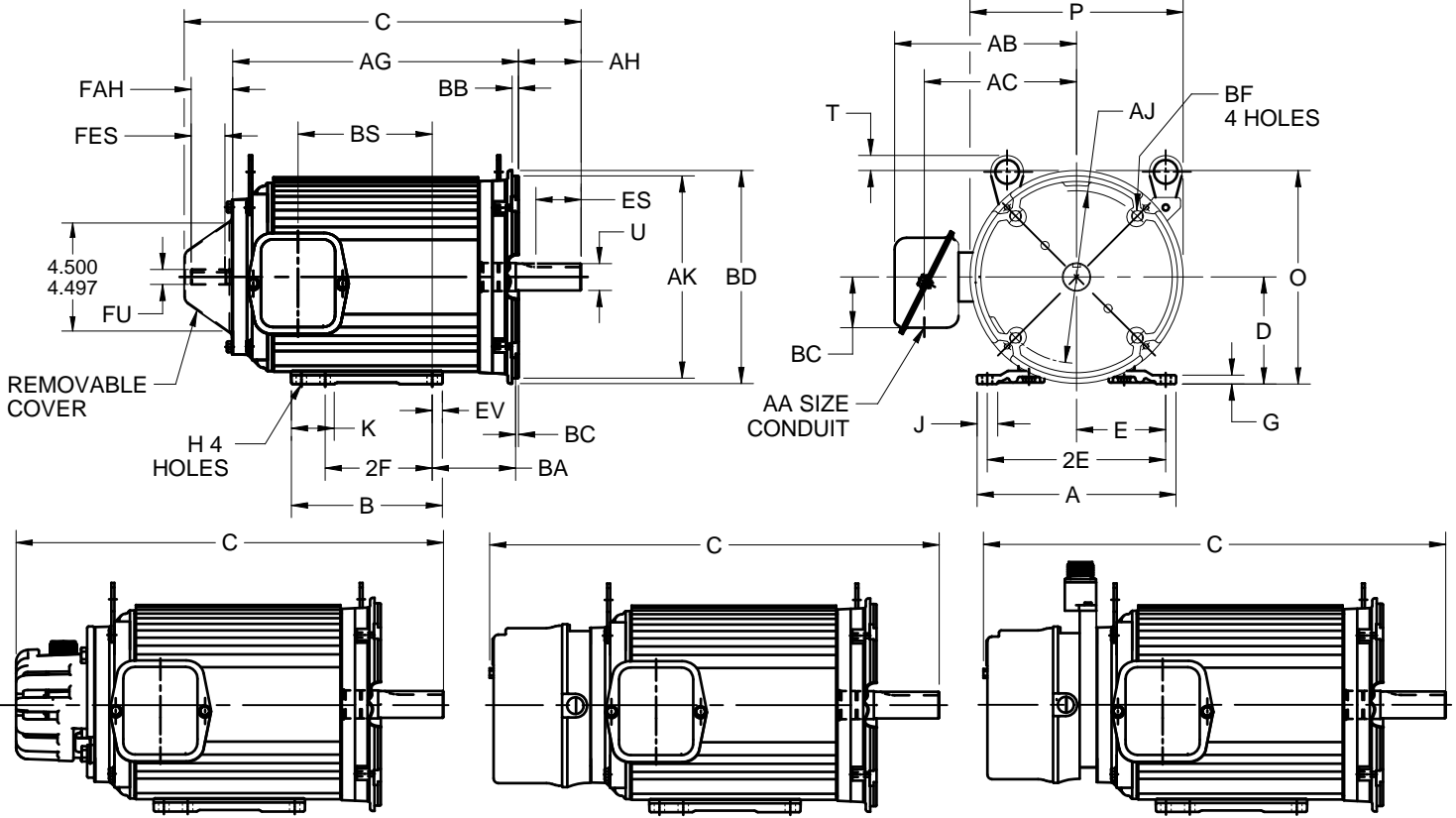
HORIZONTAL MOTORS

UNIMOUNT VECTOR DUTY

FRAME: 182TC, 184TC
TYPE: UTX

PRINT:
07-2693

SHEET:
1 OF 1



DYNAPAR ENCODER KIT ADD 1.20" TO THE 'C' DIMENSION BRAKE ADD 2.13" TO THE 'C' DIMENSION BRAKE WITH SL56 ADD 2.87" TO THE 'C' DIMENSION
EPC ENCODER KIT ADD 0.76" TO THE 'C' DIMENSION BRAKE WITH 770 ADD 3.11" TO THE 'C' DIMENSION

ALL DIMENSIONS ARE IN INCHES AND MILLIMETERS

UNITS	A	B	D -.06	E	2E ±.03	G	H +.05	J	K	O	P ²	T
IN	8.38	6.38	4.50	3.75	7.50	.38	.41	.88	1.88	8.87	8.75	.63
MM	212	162	114	95	190	9	11	22	47	225	222	16

UNITS	U -.0005	AA	AB	AC	AF	AH	AJ	AK -.003	BA	BB MIN	BC	BD MAX
IN	1.1250	.75	7.75	6.31	2.13	2.62	7.250	8.500	3.50	.25	.13	9.00
MM	28.575	19	197	160	54	66	184.15	215.90	89	6	3	229

UNITS	BF ⁴	ES MIN	EV	FAH	FES	FU -.0005	PE SQ KEY	SE SQ KEY
IN	1/2-13X.81	1.78	.44	1.75	1.50	.6250	.250	.188
MM		45	11	44	38	15.875	6.35	4.78

FRAME	HP	UNITS	C	AG	BS	2F ±.03
182TC	3	IN	15.99	11.26	4.81	4.50
		MM	406	286	122	114
184TC	5, 2	IN	16.75	12.01	5.55	5.50
		MM	425	305	141	140

TOLERANCES	
FACE RUNOUT	.004 T.I.R.
PERMISSIBLE ECCENTRICITY OF MOUNTING RABBET	.004 T.I.R.
PERMISSIBLE SHAFT RUNOUT	.002 T.I.R.

- ALL ROUGH DIMENSIONS MAY VARY BY .25" DUE TO CASTING AND/OR FABRICATION VARIATIONS.
- LARGEST MOTOR WIDTH.
- CONDUIT OPENINGS MAY BE LOCATED IN STEPS OF 90 DEGREES REGARDLESS OF LOCATION. STANDARD AS SHOWN WITH CONDUIT OPENING DOWN.

- TAP SIZE AND BOLT PENETRATION ALLOWANCE.
- ALL TAPPED HOLES ARE UNIFIED NATIONAL COARSE, RIGHT HAND THREAD.
- TOLERANCES SHOWN ARE IN INCHES ONLY.
- FRAME REFERENCE: 8.250/182/9.000/184

Nidec Motor Corporation
St. Louis, Missouri

INFORMATION DISCLOSED ON THIS DOCUMENT IS CONSIDERED PROPRIETARY AND SHALL NOT BE REPRODUCED OR DISCLOSED WITHOUT WRITTEN CONSENT OF NIDEC MOTOR CORPORATION



ISSUED BY
D. MENDEZ
APPROVED BY
G. CORONADO

IHP_DP_NMCA (MAR-2011) SOLIDEDGE