

EFFECTIVE:  
27-MAY-11

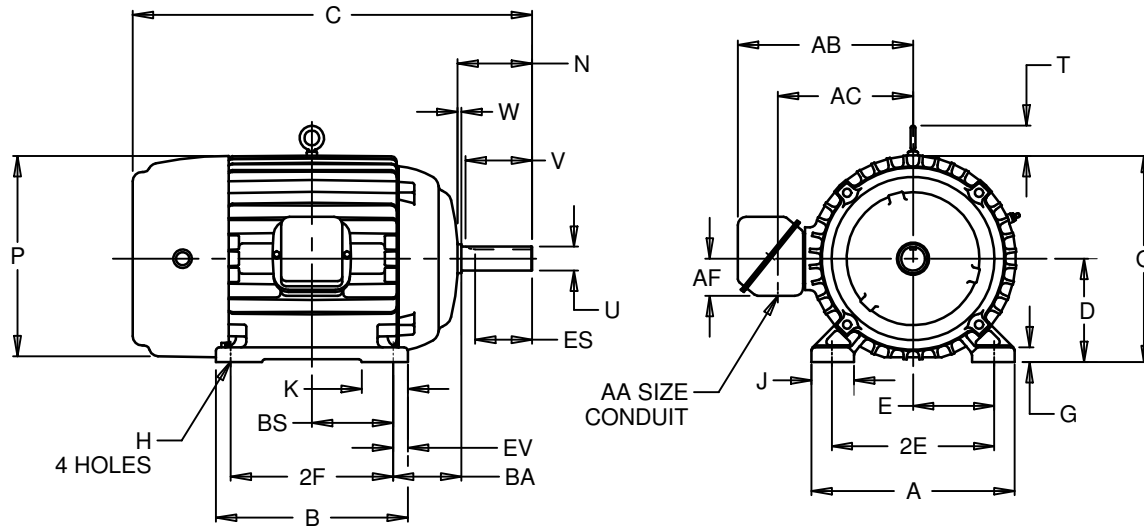
# HORIZONTAL MOTORS

PRINT:  
07-2696

SUPERSEDES:  
10-OCT-08

TEFC  
FRAME: 400TS  
BASIC TYPE: CT

SHEET:  
1 OF 1



ALL DIMENSIONS ARE IN INCHES AND MILLIMETERS

UNITS	A	B	C	D -.06	E	2E ±.03	G	H +.05	J	K	N
IN	19.75	16.75	34.63	10.00	8.00	16.00	1.38	.81	3.75	5.00	4.63
MM	502	425	880	254	203	406	35	21	95	127	118

UNITS	O	P <sup>2</sup>	T	U -.001	V MIN	W	AA	AB	AC	AF	BA
IN	20.47	21.41	2.94	2.125	4.00	.38	3.00	17.75	13.44	3.38	6.63
MM	520	544	75	53.98	102	10		451	341	86	168

UNITS	BS	ES MIN	EV	SQ KEY
IN	6.88	2.78	1.50	.500
MM	175	71	38	12.70

FRAME	UNITS	2F ±.03
404TS	IN	12.25
	MM	311
405TS	IN	13.75
	MM	349

- 1: ALL ROUGH DIMENSIONS MAY VARY .25" DUE TO CASTING AND/OR FABRICATION VARIATIONS.
- 2: LARGEST MOTOR WIDTH.
- 3: TOLERANCES SHOWN ARE IN INCHES ONLY.
- 4: STANDARD ASSEMBLY POSITION F-1 IS SHOWN F-2 IS PROVIDED WHEN SPECIFIED. CONDUIT OPENINGS MAY BE LOCATED IN STEPS OF 90° REGARDLESS OF LOCATION. STANDARD AS SHOWN WITH CONDUIT OPENING DOWN

07-2696/A

**Nidec Motor Corporation**  
St. Louis, Missouri

INFORMATION DISCLOSED ON THIS DOCUMENT IS CONSIDERED PROPRIETARY AND SHALL NOT BE REPRODUCED OR DISCLOSED WITHOUT WRITTEN CONSENT OF NIDEC MOTOR CORPORATION



ISSUED BY  
**M. CHAUDHARI**  
APPROVED BY  
**R. KING**

IHP\_DP\_NMCA (MAR-2011) SOLIDEDGE