

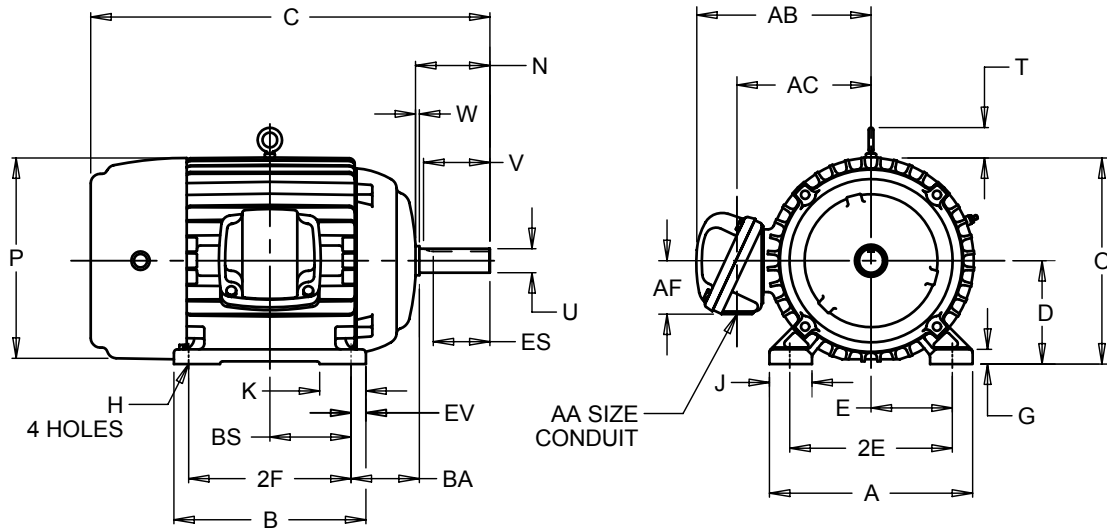
EFFECTIVE:  
**27-MAY-11**

**HORIZONTAL MOTORS**  
TEFC-EXPLOSION PROOF  
FRAME: 400T  
BASIC TYPE: LC, NC

PRINT:  
**07-2698**

SUPERSEDES:  
**10-OCT-08**

SHEET:  
**1 OF 1**



ALL DIMENSIONS ARE IN INCHES AND MILLIMETERS

UNITS	A	B	C	D -.06	E	2E ±.03	G	H +.05	J	K	N
IN	19.75	16.75	38.00	10.00	8.00	16.00	1.38	.81	3.75	5.00	7.38
MM	502	425	965	254	203	406	35	21	95	127	187

UNITS	O	P <sup>2</sup>	T	U -.001	V MIN	W	AA	AB	AC	AF	BA
IN	20.44	20.88	2.94	2.875	7.00	.13	3.00	19.06	13.88	4.56	6.63
MM	519	530	75	73.03	178	3		484	353	116	168

UNITS	BS	ES MIN	EV	SQ KEY
IN	6.88	5.66	1.50	.750
MM	175	144	38	19.05

FRAME	UNITS	2F ±.03
404T	IN	12.25
	MM	311
405T	IN	13.75
	MM	349

- 1: ALL ROUGH DIMENSIONS MAY VARY .25" DUE TO CASTING AND/OR FABRICATION VARIATIONS.
- 2: LARGEST MOTOR WIDTH.
- 3: TOLERANCES SHOWN ARE IN INCHES ONLY.
- 4: STANDARD ASSEMBLY POSITION F-1 IS SHOWN F-2 IS PROVIDED WHEN SPECIFIED. CONDUIT OPENINGS MAY BE LOCATED IN STEPS OF 90° REGARDLESS OF LOCATION. STANDARD AS SHOWN WITH CONDUIT OPENING DOWN

07-2698/A

**Nidec Motor Corporation**  
St. Louis, Missouri

INFORMATION DISCLOSED ON THIS DOCUMENT IS CONSIDERED PROPRIETARY AND SHALL NOT BE REPRODUCED OR DISCLOSED WITHOUT WRITTEN CONSENT OF NIDEC MOTOR CORPORATION



ISSUED BY  
**M. CHAUDHARI**  
APPROVED BY  
**R. KING**

IHP\_DP\_NMCA (MAR-2011) SOLIDEDGE