

EFFECTIVE:
30-MAY-11

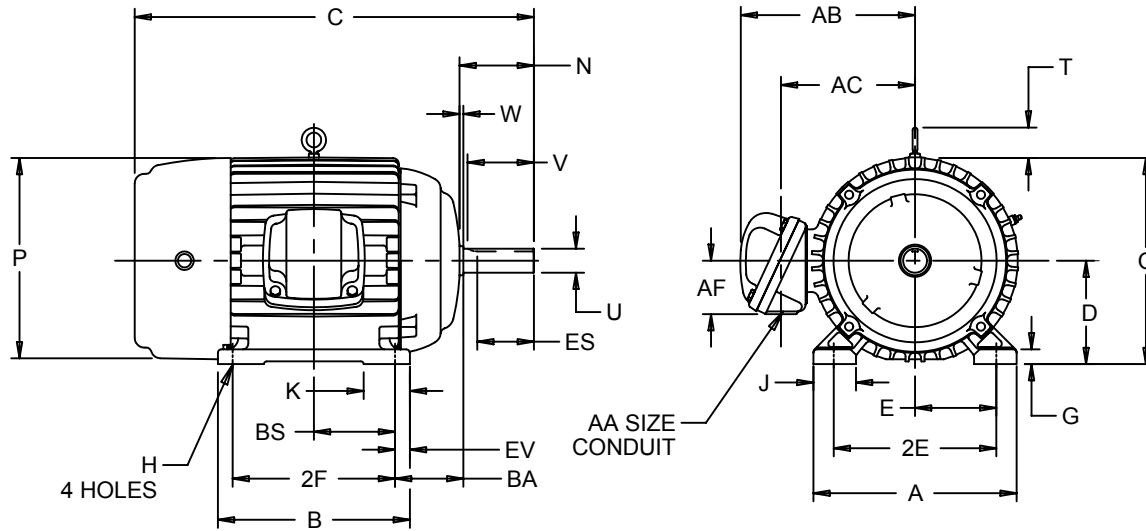
HORIZONTAL MOTORS

TEFC- EXPLOSION PROOF
FRAME: 400TS
BASIC TYPE: LC, NC

PRINT:
07-2700

SUPERSEDES:
10-OCT-08

SHEET:
1 OF 1



ALL DIMENSIONS ARE IN INCHES AND MILLIMETERS

UNITS	A	B	C	D -.06	E	2E ±.03	G	H +.05	J	K	N	O	P ²
IN	19.75	16.75	35.00	10.00	8.00	16.00	1.38	.81	3.75	5.00	4.38	20.44	20.88
MM	502	425	889	254	203	406	35	21	95	127	111	519	530

UNITS	T	U -.001	V MIN	W	AA	AB	AC	AF	BA	BS	ES MIN	EV	SQ KEY
IN	2.94	2.125	4.00	.13	3 NPT	19.06	13.88	4.56	6.63	6.88	2.78	1.50	.500
MM	75	53.98	102	3		484	353	116	168	175	71	38	12.70

FRAME	UNITS	2F ±.03
404TS	IN	12.25
	MM	311
405TS	IN	13.75
	MM	349

- 1: ALL ROUGH CASTING DIMENSIONS MAY VARY BY .25" DUE TO CASTING AND/OR FABRICATION VARIATIONS.
- 2: LARGEST MOTOR WIDTH.
- 3: TOLERANCES SHOWN ARE IN INCHES ONLY.
- 4: STANDARD ASSEMBLY POSITION F-1 IS SHOWN F-2 IS PROVIDED WHEN SPECIFIED. CONDUIT OPENINGS MAY BE LOCATED IN STEPS OF 90° REGARDLESS OF LOCATION. STANDARD AS SHOWN WITH CONDUIT OPENING DOWN.

07-2700/A

Nidec Motor Corporation
St. Louis, Missouri

INFORMATION DISCLOSED ON THIS DOCUMENT
IS CONSIDERED PROPRIETARY AND SHALL NOT BE
REPRODUCED OR DISCLOSED WITHOUT WRITTEN
CONSENT OF NIDEC MOTOR CORPORATION



ISSUED BY A. HINGANKAR
APPROVED BY R. KING

IHP_DP_NMCA (MAR-2011) SOLIDEDGE