

EFFECTIVE:
23-MAY-11

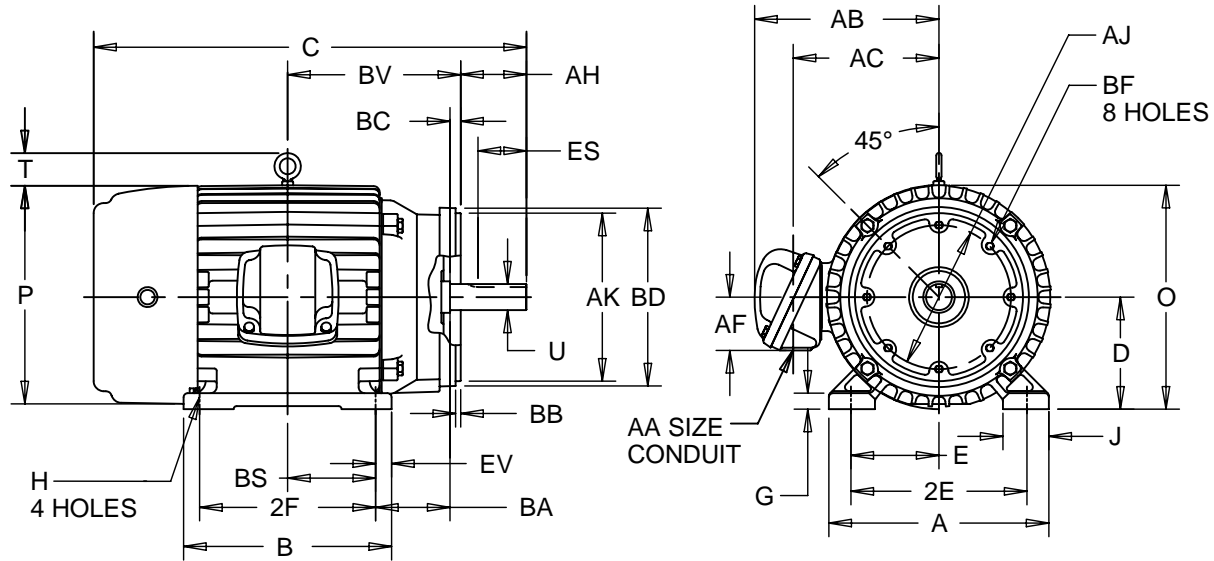
SUPERSEDES:
13-FEB-09

HORIZONTAL MOTORS WITH NEMA "C" BRACKET

FRAME: 284, 286TC
BASIC TYPE: TC

PRINT:
07-2721

SHEET:
1 OF 1



ALL DIMENSIONS ARE IN INCHES AND MILLIMETERS

UNITS	A	B	C	D	E	2E	G	H	J	O
IN	14.00	13.00	27.88	7.00	5.50	11.00	1.00	.53	2.88	14.28
MM	356	330	708	178	140	279	25	13	73	363

UNITS	P ⁵	T	U	AA	AB	AC	AF	AH	AJ	AK	BA
IN	14.59	2.03	1.875	1.50 NPT	11.63	9.19	2.63	4.38	9.000	10.500	4.75
MM	371	52	47.63		295	233	67	111	228.60	266.70	121

UNITS	BB	BC	BD MAX	BS	BF ²	BV	ES MIN	EV	SQ KEY
IN	.25	.25	11.25	5.50	1/2-13 X .75	10.50	3.28	1.00	.500
MM	6	6	286	140		267	83	25	12.70

FRAME	UNITS	2F ±.03
284TC	IN	9.50
	MM	241
286TC	IN	11.00
	MM	279

- 1: ALL ROUGH DIMENSIONS MAY VARY BY .25" DUE TO CASTING AND/OR FABRICATION VARIATIONS.
- 2: TAP SIZE AND BOLT PENETRATION ALLOWANCE.
- 3: ALL TAPPED HOLES ARE UNIFIED NATIONAL COARSE, RIGHT HAND THREAD.
- 4: CONDUIT BOX MAY BE LOCATED ON EITHER SIDE OF MOTOR. CONDUIT OPENINGS MAY BE LOCATED IN STEPS OF 90 DEGREES REGARDLESS OF LOCATION. STANDARD AS SHOWN WITH CONDUIT OPENING DOWN.
- 5: LARGEST MOTOR WIDTH.
- 6: TOLERANCES SHOWN ARE IN INCHES ONLY.

TOLERANCES	10.500 AK
FACE RUNOUT	.004 T.I.R.
PERMISSIBLE ECCENTRICITY OF MOUNTING RABBET	.004 T.I.R.
PERMISSIBLE SHAFT RUNOUT	.002 T.I.R.
TOLERANCE ON "AK" DIMENSION	-.003

07-2721/A

Nidec Motor Corporation
St. Louis, Missouri

INFORMATION DISCLOSED ON THIS DOCUMENT
IS CONSIDERED PROPRIETARY AND SHALL NOT BE
REPRODUCED OR DISCLOSED WITHOUT WRITTEN
CONSENT OF NIDEC MOTOR CORPORATION



ISSUED BY
R. KING
APPROVED BY
K. POTTER

IHP_DP_NMCA (MAR-2011) SOLIDEDGE