

EFFECTIVE:  
**31-MAY-11**

# HORIZONTAL MOTORS

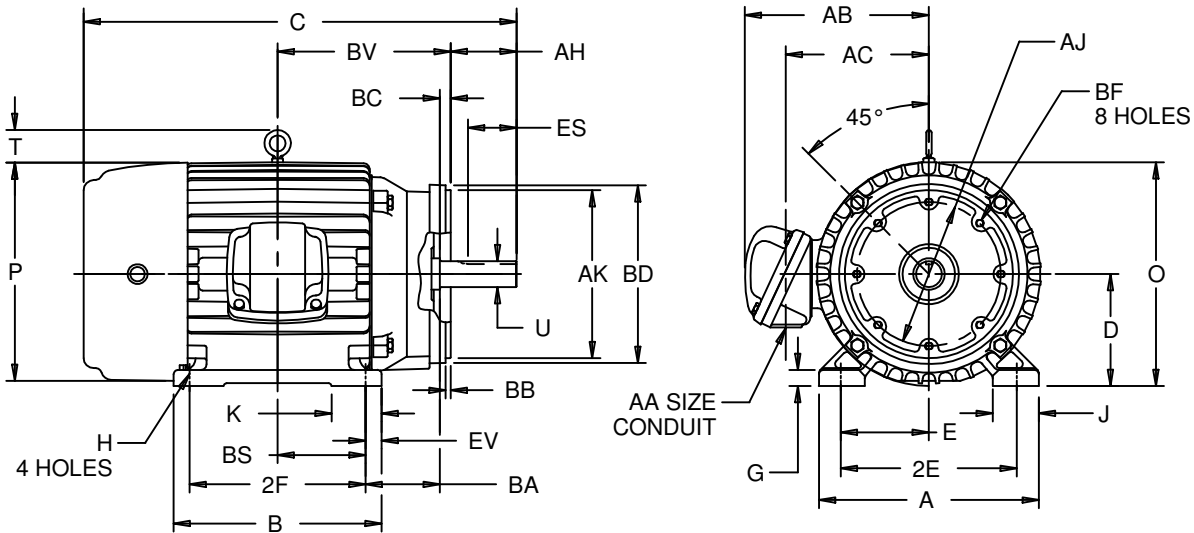
WITH NEMA "C" BKT AND STANDARD SHORT SHAFT

PRINT:  
**07-2723**

SUPERSEDES:  
**20-NOV-08**

FRAME: 324, 326TSC  
BASIC TYPE: TC

SHEET:  
**1 OF 1**



ALL DIMENSIONS ARE IN INCHES AND MILLIMETERS

UNITS	A	B	C	D -.06	E	2E ±.03	G	H +.05	J	K	O
IN	15.75	15.00	29.38	8.00	6.25	12.50	1.13	.66	3.25	4.65	16.38
MM	400	381	746	203	159	318	29	17	83	118	416

UNITS	p <sup>5</sup>	T	U -.001	AA	AB	AC	AF	AH	AJ	AK	BA
IN	16.75	2.03	1.875	2.00 NPT	14.26	10.76	3.88	3.50	11.000	12.500	5.25
MM	425	52	47.63		362	273	83	89	279.40	317.50	133

UNITS	BB	BC	BD MAX	BS	BF <sup>2</sup>	BV	ES MIN	EV	SQ KEY
IN	.25	.25	14.00	6.00	5/8-11 X .94	11.50	2.03	1.50	.500
MM	6	6	356	152		292	52	38	12.70

FRAME	UNITS	2F ±.03
324TSC	IN	10.50
	MM	267
326TSC	IN	12.00
	MM	305

- 1: ALL ROUGH DIMENSIONS MAY VARY BY .25" DUE TO CASTING AND/OR FABRICATION VARIATIONS.
- 2: TAP SIZE AND BOLT PENETRATION ALLOWANCE.
- 3: ALL TAPPED HOLES ARE UNIFIED NATIONAL COARSE, RIGHT HAND THREAD.
- 4: CONDUIT BOX MAY BE LOCATED ON EITHER SIDE OF MOTOR. CONDUIT OPENINGS MAY BE LOCATED IN STEPS OF 90° REGARDLESS OF LOCATION. STANDARD AS SHOWN WITH CONDUIT OPENING DOWN.
- 5: LARGEST MOTOR WIDTH.
- 6: TOLERANCES SHOWN ARE IN INCHES ONLY.

TOLERANCES	12.500 AK
FACE RUNOUT	.007 T.I.R.
PERMISSIBLE ECCENTRICITY OF MOUNTING RABBET	.007 T.I.R.
PERMISSIBLE SHAFT RUNOUT	.003 T.I.R.
TOLERANCE ON "AK" DIMENSION	-.005

07-2723/A

**Nidec Motor Corporation**  
St. Louis, Missouri

INFORMATION DISCLOSED ON THIS DOCUMENT IS CONSIDERED PROPRIETARY AND SHALL NOT BE REPRODUCED OR DISCLOSED WITHOUT WRITTEN CONSENT OF NIDEC MOTOR CORPORATION



ISSUED BY  
**V. PAWAR**  
APPROVED BY  
**R. KING**

IHP\_DP\_NMCA (MAR-2011) SOLIDEDGE