

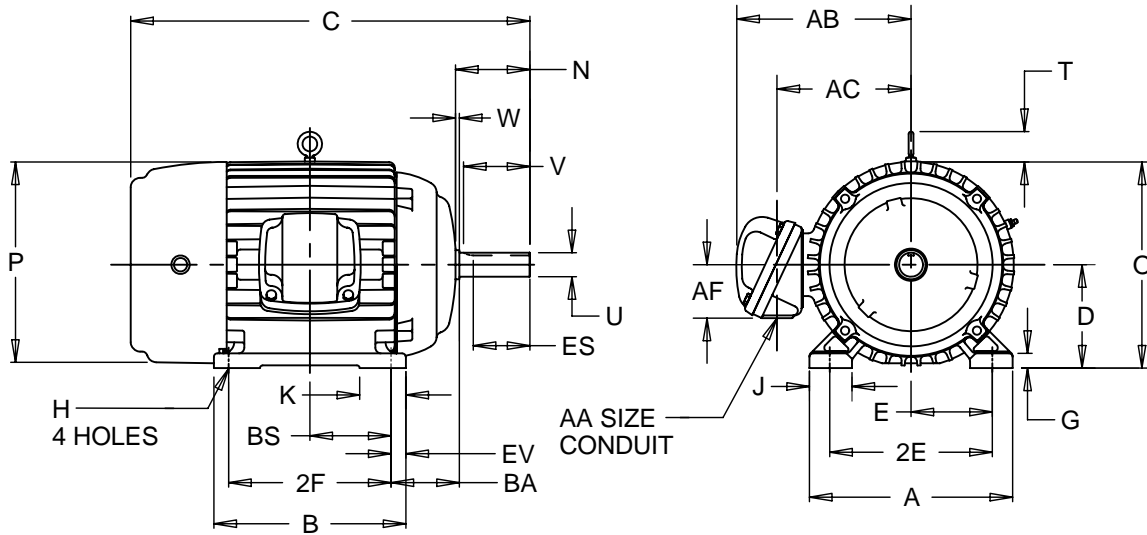
EFFECTIVE:  
03-MAR-11

SUPERSEDES:  
20-OCT-08

**HORIZONTAL MOTORS**  
**TEFC - EXPLOSION PROOF**  
**FRAME: 364, 365TS**  
**BASIC TYPE: L, N**

PRINT:  
07-2729

SHEET:  
1 OF 1



ALL DIMENSIONS ARE IN INCHES AND MILLIMETERS

UNITS	A	B	C	D -.06	E	2E ±.03	G	H +.05	J	K	N
IN	17.75	15.25	30.13	9.00	7.00	14.00	1.25	.66	3.75	4.38	4.13
MM	451	387	765	229	178	356	32	17	95	111	105

UNITS	O	P <sup>2</sup>	T	U -.001	V MIN	W	AA	AB	AC	AF	BA
IN	18.02	18.03	2.50	1.875	3.50	.44	3.00 NPT	17.53	12.50	4.56	5.88
MM	458	458	64	47.63	89	11		445	318	116	149

UNITS	BS	ES MIN	EV	SQ KEY
IN	6.13	2.03	1.50	.500
MM	156	52	38	12.70

FRAME	UNITS	2F ±.03
364TS	IN	11.25
	MM	286
365TS	IN	12.25
	MM	311

1: ALL ROUGH CASTING DIMENSIONS MAY VARY BY .25" DUE TO CASTING AND/OR FABRICATION VARIATIONS.  
2: LARGEST MOTOR WIDTH.  
3: TOLERANCES SHOWN ARE IN INCHES ONLY.

4: STANDARD ASSEMBLY POSITION F-1 IS SHOWN F-2 IS PROVIDED WHEN SPECIFIED. CONDUIT OPENINGS MAY BE LOCATED IN STEPS OF 90 DEGREES REGARDLESS OF LOCATION. STANDARD AS SHOWN WITH CONDUIT OPENING DOWN.

07-2729/B ECO 46275-00

**Nidec Motor Corporation**  
St. Louis, Missouri

INFORMATION DISCLOSED ON THIS DOCUMENT IS CONSIDERED PROPRIETARY AND SHALL NOT BE REPRODUCED OR DISCLOSED WITHOUT WRITTEN CONSENT OF NIDEC MOTOR CORPORATION



ISSUED BY  
**R. KING**  
APPROVED BY  
**K. POTTER**

IHP\_DP\_NMCA (MAR-2011) SOLIDEDGE