

EFFECTIVE:
01-JUN-11

SUPERSEDES:
20-OCT-08

HORIZONTAL MOTORS

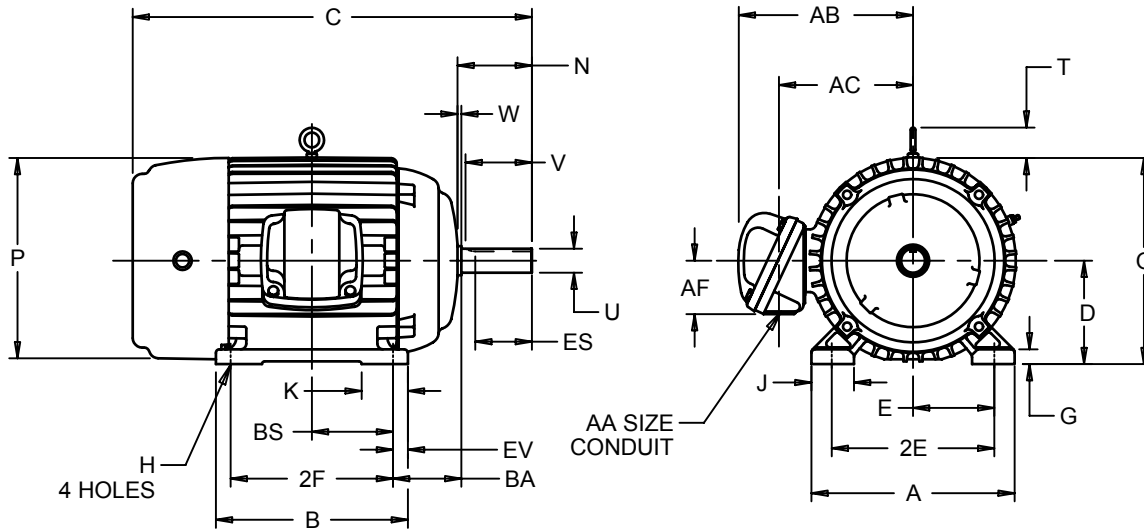
TEFC - EXPLOSION PROOF

FRAME: 364, 365TS

BASIC TYPE: LC, NC

PRINT:
07-2731

SHEET:
1 OF 1



ALL DIMENSIONS ARE IN INCHES AND MILLIMETERS

| UNITS | A | B | C | D -.06 | E | 2E ±.03 | G | H +.05 | J | K | N | O | P ² |
|-------|-------|-------|-------|-----------|------|------------|------|-----------|------|------|------|-------|----------------|
| IN | 17.75 | 15.25 | 30.94 | 9.00 | 7.00 | 14.00 | 1.25 | .66 | 3.75 | 4.38 | 4.13 | 18.28 | 18.56 |
| MM | 451 | 387 | 786 | 229 | 178 | 356 | 32 | 17 | 95 | 111 | 105 | 464 | 472 |

| UNITS | T | U -.001 | V MIN | W | AA | AB | AC | AF | BA | BS | ES MIN | EV | SQ KEY |
|-------|------|------------|----------|-----|-------|-------|-------|------|------|------|-----------|------|-----------|
| IN | 2.50 | 1.875 | 3.50 | .44 | 3 NPT | 17.53 | 12.50 | 4.56 | 5.88 | 6.13 | 2.03 | 1.50 | .500 |
| MM | 64 | 47.63 | 89 | 11 | | 445 | 318 | 116 | 149 | 156 | 52 | 38 | 12.70 |

| FRAME | UNITS | 2F ±.03 |
|-------|-------|------------|
| 364TS | IN | 11.25 |
| | MM | 286 |
| 365TS | IN | 12.25 |
| | MM | 311 |

- 1: ALL ROUGH DIMENSIONS MAY VARY .25" DUE TO CASTING AND/OR FABRICATION VARIATIONS.
- 2: LARGEST MOTOR WIDTH.
- 3: TOLERANCES SHOWN ARE IN INCHES ONLY.
- 4: STANDARD ASSEMBLY POSITION F-1 IS SHOWN F-2 IS PROVIDED WHEN SPECIFIED. CONDUIT OPENINGS MAY BE LOCATED IN STEPS OF 90° REGARDLESS OF LOCATION. STANDARD AS SHOWN WITH CONDUIT OPENING DOWN

07-2731/A

Nidec Motor Corporation
St. Louis, Missouri

INFORMATION DISCLOSED ON THIS DOCUMENT IS CONSIDERED PROPRIETARY AND SHALL NOT BE REPRODUCED OR DISCLOSED WITHOUT WRITTEN CONSENT OF NIDEC MOTOR CORPORATION



ISSUED BY
A. HINGANKAR
APPROVED BY
R. KING

IHP_DP_NMCA (MAR-2011) SOLIDEDGE