

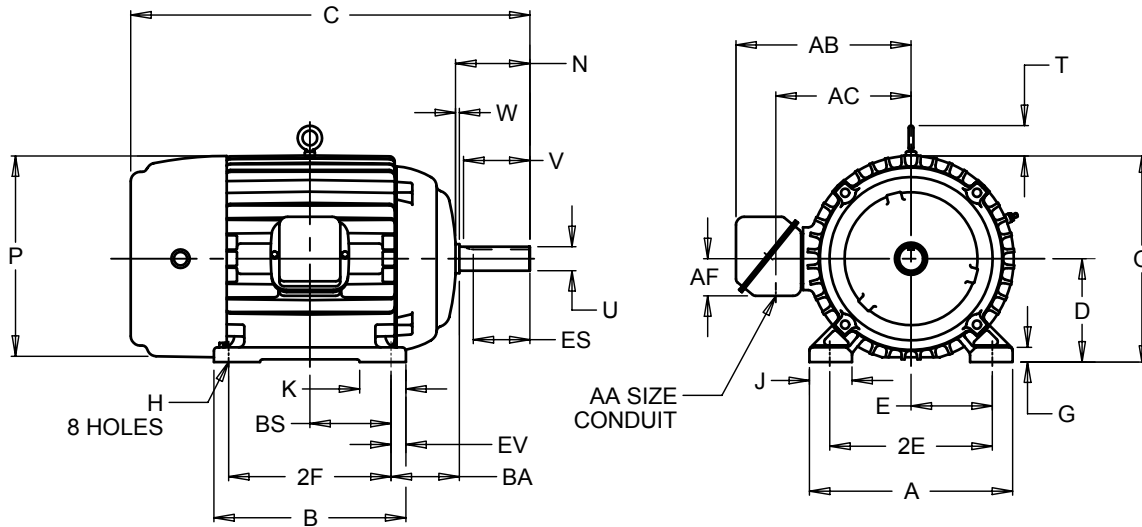
EFFECTIVE:
01-JUN-11

SUPERSEDES:
20-OCT-08

HORIZONTAL MOTORS
AUTOMOTIVE DUTY
FRAME: 364-365U, US
BASIC TYPE: JAD, JDE

PRINT:
07-2733

SHEET:
1 OF 1



ALL DIMENSIONS ARE IN INCHES AND MILLIMETERS

UNITS	A	B	D -.06	E	2E ±.03	G	H +.05	J	K	O	P ²
IN	17.75	15.25	9.00	7.00	14.00	1.25	.66	3.75	4.38	18.02	18.03
MM	451	387	229	178	356	32	17	95	111	458	458

UNITS	T	W	AA	AB	AC	AF	BA	BS	EV	SQ KEY
IN	2.50	.44	2 ½ NPT	16.47	12.19	4.19	5.88	6.13	1.50	.500
MM	64	11		418	310	106	149	156	38	12.70

FRAME	UNITS	C	N	U -.001	V MIN	ES MIN
360U	IN	32.75	6.75	2.125	6.13	5.00
	MM	832	171	53.98	156	127
360US	IN	30.13	4.13	1.875	3.50	2.00
	MM	765	105	47.63	89	51

FRAME	UNITS	2F ±.03
364U, US	IN	11.25
	MM	286
365U, US	IN	12.25
	MM	311

NOTE:

- 1: ALL ROUGH DIMENSIONS MAY VARY BY .25" DUE TO CASTING AND/OR FABRICATION VARIATIONS.
- 2: LARGEST MOTOR WIDTH.
- 3: TOLERANCES SHOWN ARE IN INCHES ONLY.
- 4: STANDARD ASSEMBLY POSITION F-1 IS SHOWN F-2 IS PROVIDED WHEN SPECIFIED. CONDUIT OPENINGS MAY BE LOCATED IN STEPS OF 90° REGARDLESS OF LOCATION. STANDARD AS SHOWN WITH CONDUIT OPENING DOWN

07-2733/A

Nidec Motor Corporation
St. Louis, Missouri

INFORMATION DISCLOSED ON THIS DOCUMENT IS CONSIDERED PROPRIETARY AND SHALL NOT BE REPRODUCED OR DISCLOSED WITHOUT WRITTEN CONSENT OF NIDEC MOTOR CORPORATION



ISSUED BY
M. CHAUDHARI
APPROVED BY
R. KING

IHP_DP_NMCA (MAR-2011) SOLIDEDGE