

EFFECTIVE:  
**10-JUN-11**

# HORIZONTAL MOTORS

PRINT:  
**07-2750**

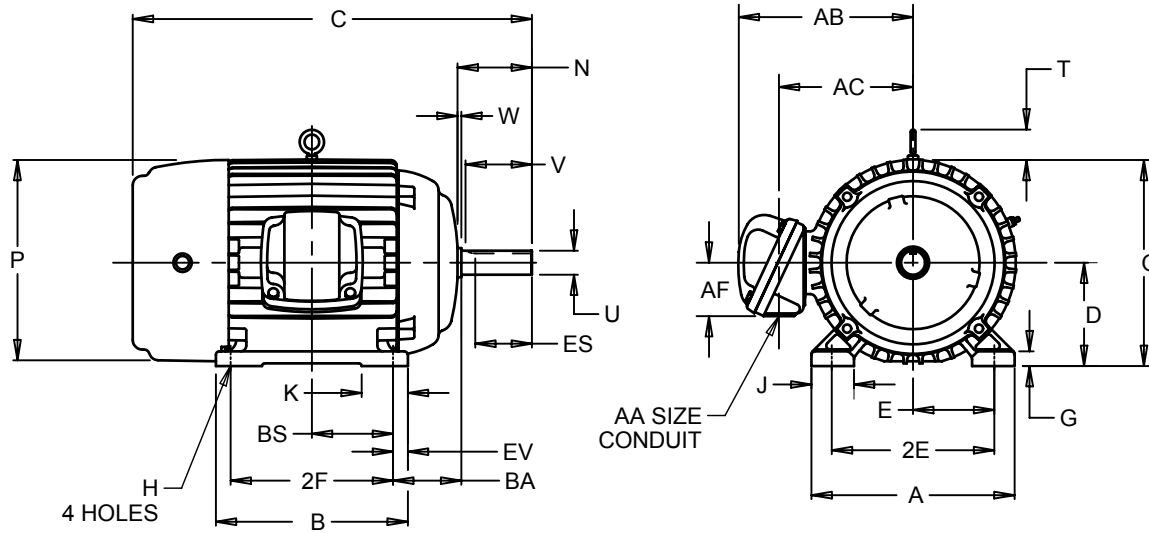
SUPERSEDES:  
**07-NOV-08**

TEFC - EXPLOSION PROOF

FRAME: 324, 326TS

SHEET:  
**1 OF 1**

BASIC TYPE: L, N



ALL DIMENSIONS ARE IN INCHES AND MILLIMETERS

UNITS	A	B	C	D	E	2E	G	H	J	K	N
IN	15.75	15.00	29.19	8.00	6.25	12.50	1.13	.66	3.25	4.65	4.13
MM	400	381	741	203	159	318	29	17	83	118	105

UNITS	O	P <sup>2</sup>	T	U	V	W	AA	AB	AC	AF	BA
IN	16.13	16.22	2.03	1.875	3.50	.38	2.00 NPT	14.26	10.76	3.88	5.25
MM	410	412	52	47.63	89	10		362	273	98	133

UNITS	BS	ES	EV	SQ	KEY
IN	6.00	2.03	1.50	.500	
MM	152	52	38	12.70	

FRAME	UNITS	2F
324TS	IN	10.50
	MM	267
326TS	IN	12.00
	MM	305

- 1: ALL ROUGH DIMENSIONS MAY VARY .25" DUE TO CASTING AND/OR FABRICATION VARIATIONS.
- 2: LARGEST MOTOR WIDTH.
- 3: TOLERANCES SHOWN ARE IN INCHES ONLY.
- 4: STANDARD ASSEMBLY POSITION F-1 IS SHOWN F-2 IS PROVIDED WHEN SPECIFIED. CONDUIT OPENINGS MAY BE LOCATED IN STEPS OF 90° REGARDLESS OF LOCATION. STANDARD AS SHOWN WITH CONDUIT OPENING DOWN

07-2750/A

**Nidec Motor Corporation**  
St. Louis, Missouri

INFORMATION DISCLOSED ON THIS DOCUMENT IS CONSIDERED PROPRIETARY AND SHALL NOT BE REPRODUCED OR DISCLOSED WITHOUT WRITTEN CONSENT OF NIDEC MOTOR CORPORATION



ISSUED BY  
**A. HINGANKAR**  
APPROVED BY  
**R. KING**

IHP\_DP\_NMCA (MAR-2011) SOLIDEDGE