

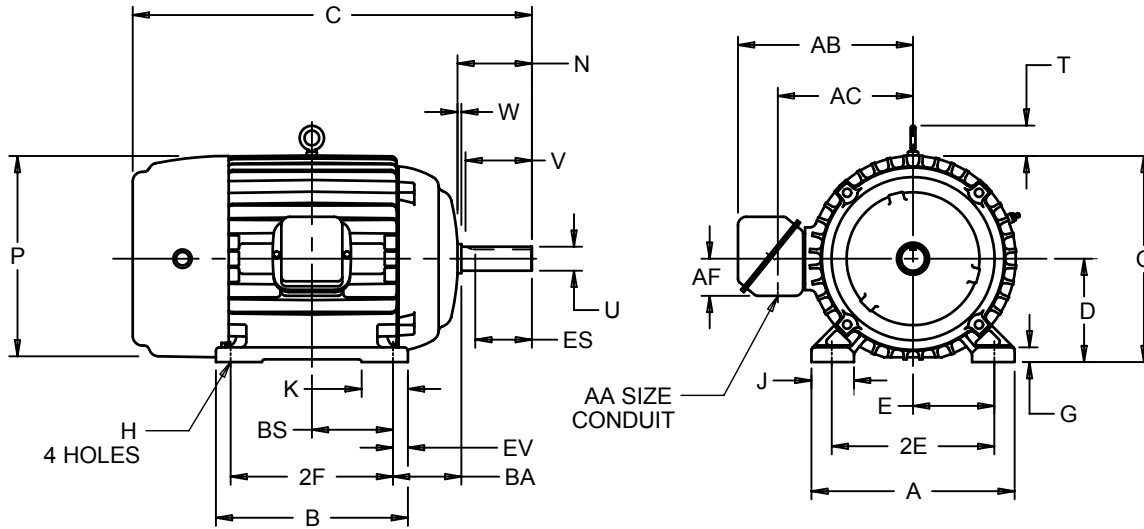
EFFECTIVE:
10-JUN-11

SUPERSEDES:
07-NOV-08

HORIZONTAL MOTORS
AUTOMOTIVE DUTY
FRAME: 324, 326U, US
BASIC TYPE: JAD,JDE

PRINT:
07-2751

SHEET:
1 OF 1



ALL DIMENSIONS ARE IN INCHES AND MILLIMETERS

UNITS	A	B	D -.06	E	2E ±.03	G	H +.05	J	K	O
IN	15.75	15.00	8.00	6.25	12.50	1.13	.66	3.25	4.65	16.13
MM	400	381	203	159	318	29	17	83	118	410

UNITS	P ²	T	W	AA	AB	AC	AF	BA	BS	EV
IN	16.22	2.03	.38	2.50	14.13	10.75	3.25	5.25	6.00	1.50
MM	412	52	10		359	273	83	133	152	38

FRAME	UNITS	C	N	U -.001	V MIN	ES MIN	SQ KEY
320U	IN	31.06	6.00	1.875	5.38	4.25	.500
	MM	789	152	47.63	137	108	12.70
320US	IN	28.69	3.69	1.625	3.00	1.88	.375
	MM	729	94	41.28	76	48	9.53

FRAME	UNITS	2F ±.03
324U, US	IN	10.50
	MM	267
326U, US	IN	12.00
	MM	305

1: ALL ROUGH CASTING DIMENSIONS MAY VARY BY .25" DUE TO CASTING AND/OR FABRICATION VARIATIONS.
2: LARGEST MOTOR WIDTH.
3: TOLERANCES SHOWN ARE IN INCHES ONLY.

4: STANDARD ASSEMBLY POSITION F-1 IS SHOWN F-2 IS PROVIDED WHEN SPECIFIED. CONDUIT OPENINGS MAY BE LOCATED IN STEPS OF 90° REGARDLESS OF LOCATION. STANDARD AS SHOWN WITH CONDUIT OPENING DOWN.

07-2751/A

Nidec Motor Corporation
St. Louis, Missouri

INFORMATION DISCLOSED ON THIS DOCUMENT IS CONSIDERED PROPRIETARY AND SHALL NOT BE REPRODUCED OR DISCLOSED WITHOUT WRITTEN CONSENT OF NIDEC MOTOR CORPORATION



ISSUED BY
D. MISAL
APPROVED BY
R. KING

IHP_DP_NMCA (MAR-2011) SOLIDEDGE