

EFFECTIVE:  
**10-JUN-11**

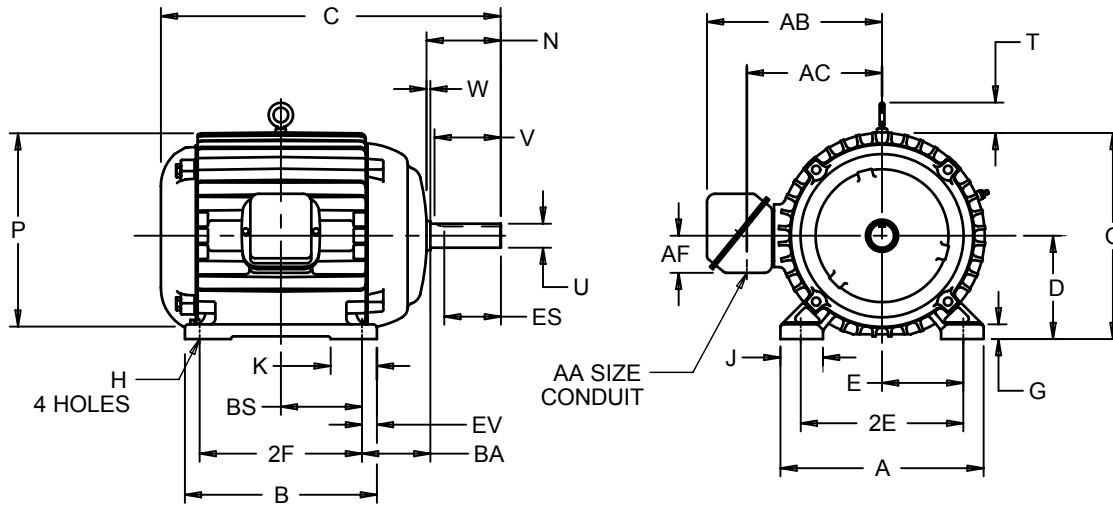
# HORIZONTAL MOTORS

PRINT:  
**07-2753**

SUPERSEDES:  
**11-NOV-08**

FRAME: 324, 326T, TS  
BASIC TYPE: CTN

SHEET:  
**1 OF 1**



ALL DIMENSIONS ARE IN INCHES AND MILLIMETERS

UNITS	A	B	D -.06	E	2E ±.03	G	H +.05	J	K	O
IN	15.75	15.00	8.00	6.25	12.50	1.13	.66	3.25	4.65	16.38
MM	400	381	203	159	318	29	17	83	118	416

UNITS	P <sup>2</sup>	T	W	AA	AB	AC	AF	BA	BS	EV	SQ KEY
IN	16.75	2.03	.38	2.00	14.13	10.75	3.25	5.25	6.00	1.50	.500
MM	425	52	10		359	273	83	133	152	38	12.70

FRAME	UNITS	C	N	U -.001	V MIN	ES MIN
320T	IN	27.38	5.63	2.125	5.00	3.91
	MM	695	143	53.98	127	99
320TS	IN	25.88	4.13	1.875	3.50	2.03
	MM	657	105	47.63	89	52

FRAME	UNITS	2F ±.03
324T, TS	IN	10.50
	MM	267
326T, TS	IN	12.00
	MM	305

- 1: ALL ROUGH CASTING DIMENSIONS MAY VARY BY .25" DUE TO CASTING AND/OR FABRICATION VARIATIONS.
- 2: LARGEST MOTOR WIDTH.
- 3: TOLERANCES SHOWN ARE IN INCHES ONLY.

- 4: STANDARD ASSEMBLY POSITION F-1 IS SHOWN F-2 IS PROVIDED WHEN SPECIFIED. CONDUIT OPENINGS MAY BE LOCATED IN STEPS OF 90° REGARDLESS OF LOCATION. STANDARD AS SHOWN WITH CONDUIT OPENING DOWN.

07-2753/A

**Nidec Motor Corporation**  
St. Louis, Missouri

INFORMATION DISCLOSED ON THIS DOCUMENT IS CONSIDERED PROPRIETARY AND SHALL NOT BE REPRODUCED OR DISCLOSED WITHOUT WRITTEN CONSENT OF NIDEC MOTOR CORPORATION



ISSUED BY  
**D. MISAL**  
APPROVED BY  
**R. KING**

IHP\_DP\_NMCA (MAR-2011) SOLIDEDGE