

EFFECTIVE:
25-OCT-12

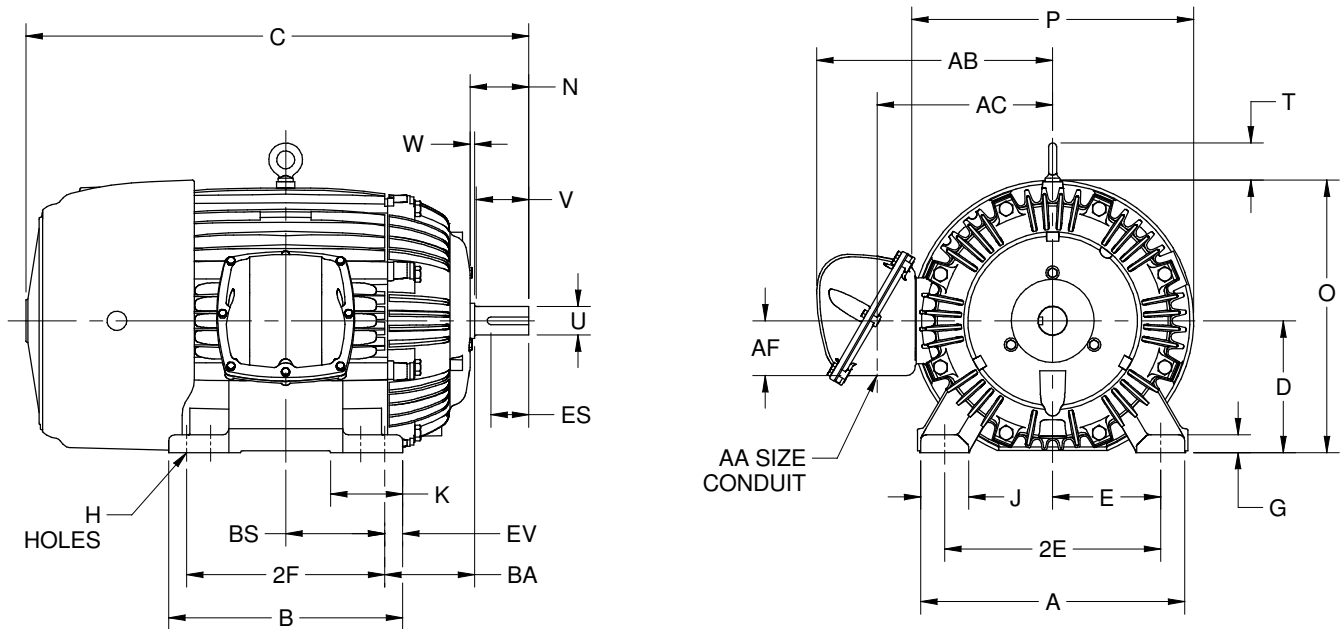
HORIZONTAL MOTORS

PRINT:
07-2756

SUPERSEDES:
10-MAR-11

FRAME: 440TS
BASIC TYPE: L, LC, N, NC

SHEET:
1 OF 1



ALL DIMENSIONS ARE IN INCHES AND MILLIMETERS

	A	D -.06	E	2E ±.03	G	H +.05	J	N
IN	22.00	11.00	9.00	18.00	1.50	.81	4.00	5.13
MM	559	279	229	457	38	21	102	130

	O	P ²	T	U -.001	V MIN	W	AB	AC
IN	22.75	23.50	3.13	2.375	4.50	.38	19.66	14.63
MM	578	597	80	60.33	114	10	499	372

	AF	BA ±.09	ES MIN	EV	SQ KEY
IN	4.56	7.50	3.03	1.50	.625
MM	116	191	77	38	15.88

	FRAME	B	C	2F ±.03	K	BS
IN	444	19.50	42.13	14.50	6.00	8.25
MM		495	1070	368	152	210
IN	445	19.50	42.13	16.50	6.00	8.25
MM		495	1070	419	152	210
IN	447	23.00	45.63	20.00	4.00	10.00
MM		584	1159	508	102	254
IN	449	28.00	50.63	25.00	4.00	12.50
MM		711	1286	635	102	318

AA
2 1/2 NPT
3 NPT
3 1/2 NPT

1. DIMENSIONS MAY VARY .25" DUE TO CASTING AND/OR FABRICATION VARIATIONS.
2. LARGEST MOTOR WIDTH.
3. TOLERANCES ARE SHOWN IN INCHES.
4. CONDUIT BOX MAY BE LOCATED ON EITHER SIDE OF MOTOR. CONDUIT OPENING MAY BE LOCATED IN STEPS OF 90 DEGREES REGARDLESS OF LOCATION. STANDARD AS SHOWN WITH CONDUIT OPENING DOWN.

07-2756/D

Nidec Motor Corporation
St. Louis, Missouri

INFORMATION DISCLOSED ON THIS DOCUMENT IS CONSIDERED PROPRIETARY AND SHALL NOT BE REPRODUCED OR DISCLOSED WITHOUT WRITTEN CONSENT OF NIDEC MOTOR CORPORATION



ISSUED BY
K. FRIEDMAN
APPROVED BY
J. O'BRIEN

IHP_DP_NMCA (MAR-2011) SOLIDEDGE