

EFFECTIVE:
04-NOV-14

DIMENSION PRINT

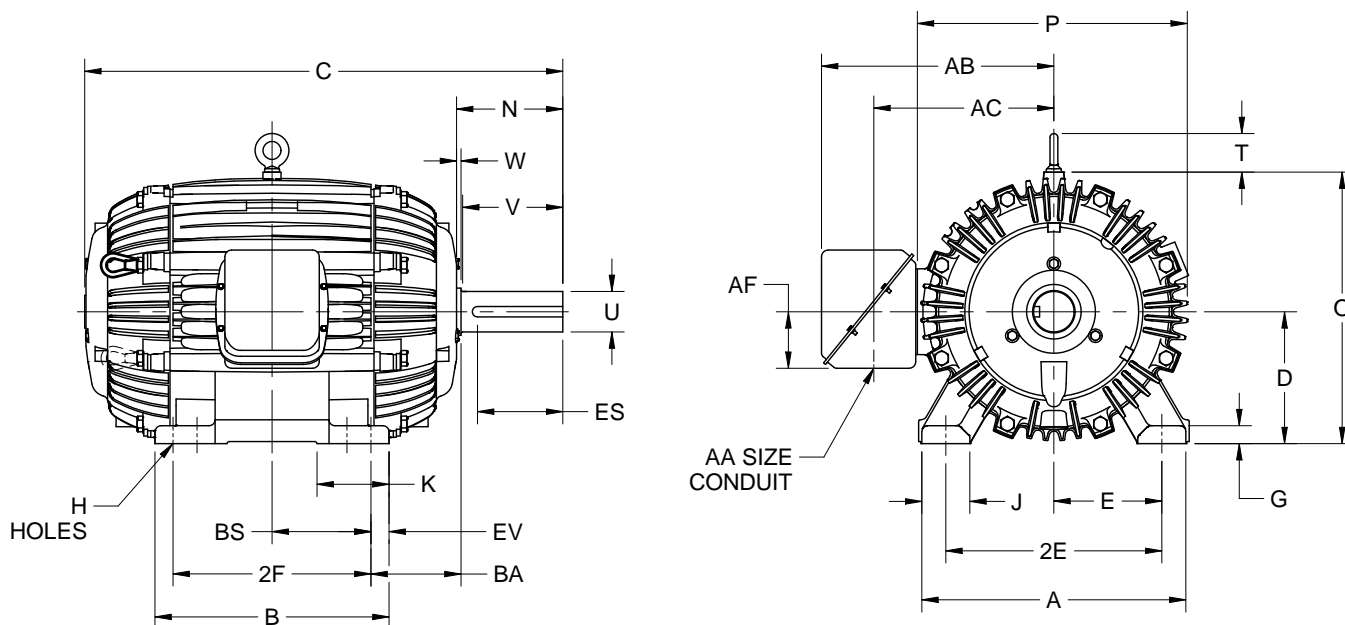
TEAO

PRINT:
07-2758

SUPERSEDES:
02-JUN-11

FRAME: 444, 445, 447T, TS
BASIC TYPE: CTN

SHEET:
1 OF 1



ALL DIMENSIONS ARE IN INCHES AND MILLIMETERS

	A	D -.06	E	2E ±.03	G	H +.05	J	O	P ²	T
IN	22.00	11.00	9.00	18.00	1.50	.81	4.00	22.59	22.50	3.25
MM	559	279	229	457	38	21	102	574	572	83

	W	AA	AB	AC	AF	BA ±.09	BU	EV
IN	.38	3.00	19.38	15.00	4.72	7.50	22.5°	1.50
MM	10		492	381	120	191		38

	FRAME	B	K	BS
IN	444, 445T, TS	19.50	6.00	8.25
MM		495	152	210
IN	447T, TS	23.00	4.00	10.00
MM		584	102	254

	FRAME	C	N	U -.001	V MIN	ES MIN	SQ KEY
IN	444, 445T	39.88	8.88	3.375	8.25	6.91	.875
MM		1013	226	85.73	210	176	22.23
IN	444, 445TS	36.13	5.13	2.375	4.50	3.03	.625
MM		918	130	60.33	114	77	15.88
IN	447T	43.38	8.88	3.375	8.25	6.91	.875
MM		1102	226	85.73	210	176	22.23
IN	447TS	39.63	5.13	2.375	4.50	3.03	.625
MM		1007	130	60.33	114	77	15.88

	FRAME	2F ±.03
IN	444T, TS	14.50
MM		368
IN	445T, TS	16.50
MM		419
IN	447T, TS	20.00
MM		508

1. DIMENSIONS MAY VARY .25" DUE TO CASTING AND/OR FABRICATION VARIATIONS.
2. LARGEST MOTOR WIDTH.
3. TOLERANCES ARE SHOWN IN INCHES.

4. CONDUIT BOX MAY BE LOCATED ON EITHER SIDE OF MOTOR. CONDUIT OPENING MAY BE LOCATED IN STEPS OF 90 DEGREES REGARDLESS OF LOCATION. STANDARD AS SHOWN WITH CONDUIT OPENING DOWN.

07-2758/C

Nidec Motor Corporation
St. Louis, Missouri

INFORMATION DISCLOSED ON THIS DOCUMENT
IS CONSIDERED PROPRIETARY AND SHALL NOT BE
REPRODUCED OR DISCLOSED WITHOUT WRITTEN
CONSENT OF NIDEC MOTOR CORPORATION



ISSUED BY
K. FRIEDMAN
APPROVED BY
K. POTTER

IHP_DP_NMCA (MAR-2011) SOLIDEDGE