

EFFECTIVE:
06-MAR-15

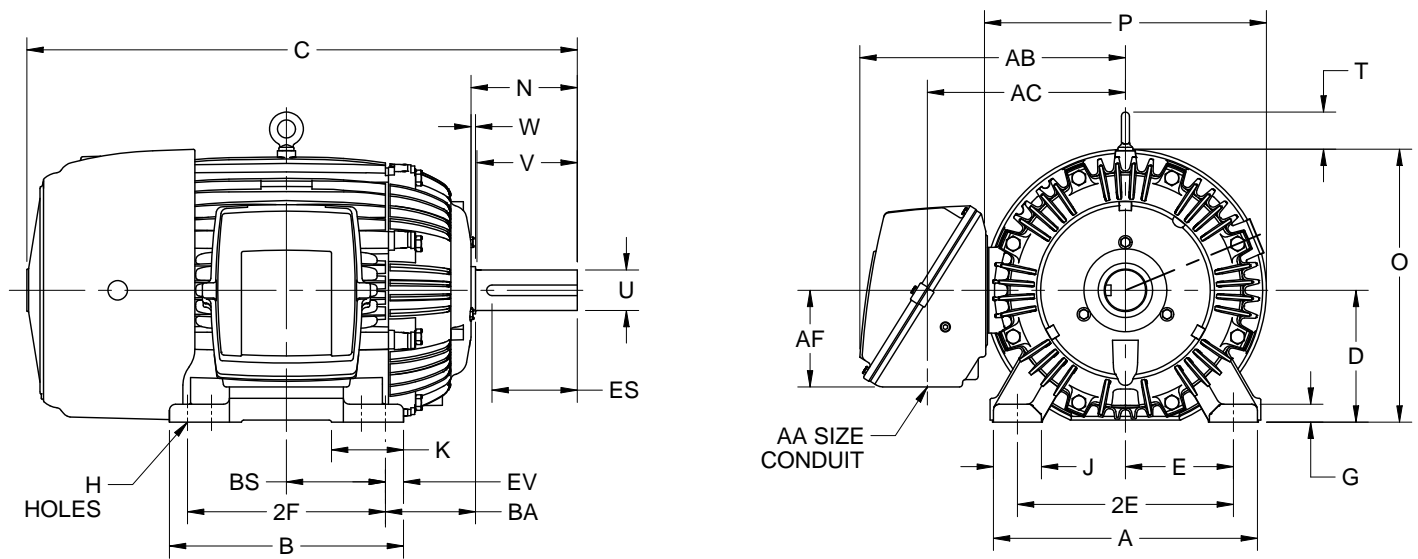
DIMENSION PRINT

PRINT:
07-2760

SUPERSEDES:
26-DEC-13

FRAME: 444, 445, 447T, TS
BASIC TYPE: CE, TC

SHEET:
1 OF 1



ALL DIMENSIONS ARE IN INCHES AND MILLIMETERS

	A	D -.06	E	2E ±.03	G	H +.05	J	O	P ²	T
IN	22.00	11.00	9.00	18.00	1.50	.81	4.00	22.75	23.50	3.13
MM	559	279	229	457	38	21	102	578	597	80

	W	AB	AC	AF	BA ±.09	EV
IN	.38	22.13	16.50	8.06	7.50	1.50
MM	10	562	419	205	191	38

	AA
	2 NPT
	2 1/2 NPT
	3 NPT
	3 1/2 NPT
	4 NPT

	FRAME	B	K	BS
IN	444, 445T, TS	19.50	6.00	8.25
MM		495	152	210
IN	447T, TS	23.00	4.00	10.00
MM		584	102	254

	FRAME	C	N	U -.001	V MIN	ES MIN	SQ KEY
IN	444, 445T	45.88	8.88	3.375	8.25	6.91	.875
MM		1165	226	85.73	210	176	22.23
IN	444, 445TS	42.13	5.13	2.375	4.50	3.03	.625
MM		1070	130	60.33	114	77	15.88
IN	447T	49.38	8.88	3.375	8.25	6.91	.875
MM		1254	226	85.73	210	176	22.23
IN	447TS	45.63	5.13	2.375	4.50	3.03	.625
MM		1159	130	60.33	114	77	15.88

	FRAME	2F ±.03
IN	444T, TS	14.50
MM		368
IN	445T, TS	16.50
MM		419
IN	447T, TS	20.00
MM		508

1. DIMENSIONS MAY VARY .25" DUE TO CASTING AND/OR FABRICATION VARIATIONS.
2. LARGEST MOTOR WIDTH.
3. TOLERANCES ARE SHOWN IN INCHES.

4. CONDUIT BOX MAY BE LOCATED ON EITHER SIDE OF MOTOR. CONDUIT OPENING MAY BE LOCATED IN STEPS OF 90 DEGREES REGARDLESS OF LOCATION. STANDARD AS SHOWN WITH CONDUIT OPENING DOWN.

07-2760/D

Nidec Motor Corporation
St. Louis, Missouri

INFORMATION DISCLOSED ON THIS DOCUMENT IS CONSIDERED PROPRIETARY AND SHALL NOT BE REPRODUCED OR DISCLOSED WITHOUT WRITTEN CONSENT OF NIDEC MOTOR CORPORATION



ISSUED BY
R. KING
APPROVED BY
K. POTTER

IHP_DP_NMCA (MAR-2011) SOLIDEDGE